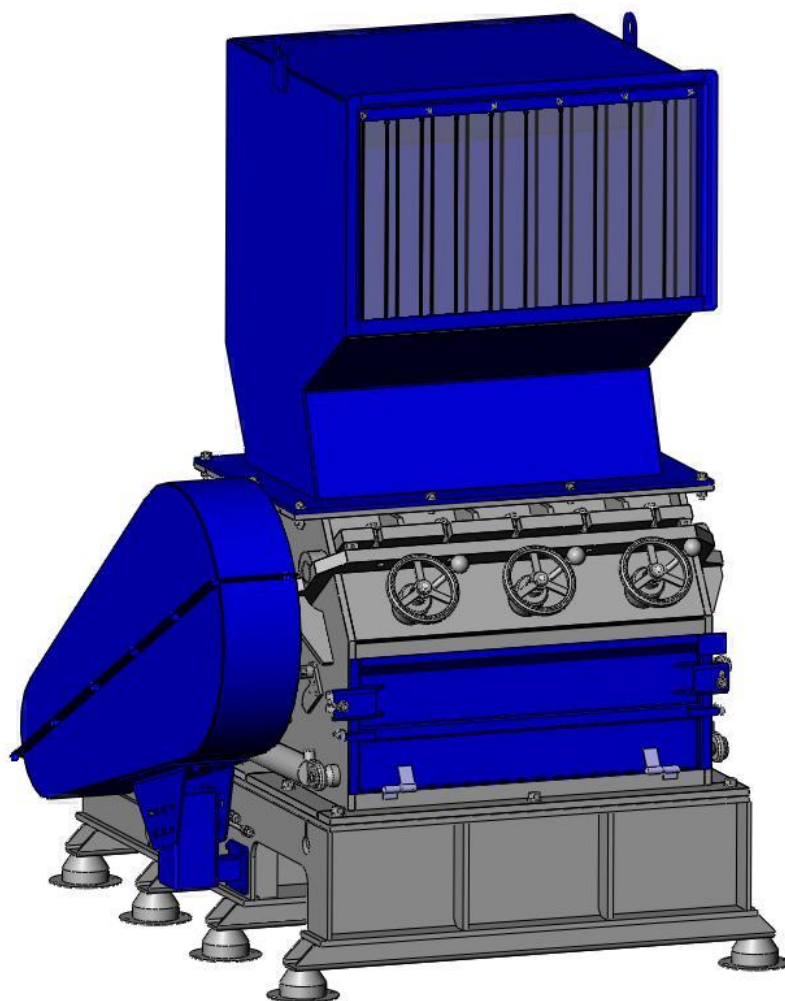


Operating Manual E 50 Series



The Right Machine for
Today's Recycling Requirements

Virtus Equipment
311 Era Drive
Northbrook IL 60062

Phone: +1-847-291-1800

Sales@Virtus-Equipment.com

www.Virtus-Equipment.com

PART A: Basic machine

Granulator

E 50 Series

Table of Contents

1	Information on this instruction manual	6
2	Technical data	7
3	General Information	11
3.1	Copyright	11
3.2	Application	11
3.3	Safety	11
3.4	Inspection of goods	11
4	General safety advice	12
4.1	Safe operation of the machine	12
4.2	Use in accordance with the regulations	13
4.3	Liability and Responsibility	15
4.4	Structural changes, spare parts, accessories	16
4.5	Operation manuals from other manufacturers	16
4.6	Noise levels and noise control measures	17
4.7	Work stations	17
4.8	Remaining risks	18
4.8.1	Mechanical dangers	18
4.8.2	Electrical dangers	20
4.8.3	Dangers caused by the control system	20
4.8.4	Thermal dangers	21
4.8.5	Dangers caused by noise	21
4.8.6	Dangers caused by vibration	21
4.8.7	Dangers caused by materials and substances	22
4.8.8	Danger caused by manipulation of the protective devices	22
4.9	Protective devices	23
4.9.1	Safety device for suction trough and screen holder	23
4.9.2	Safety device for upper section at E 50/50 and 500/700	24
4.9.3	Safety device for upper section at E 50/100 and 500/1400	25
4.9.4	"V"-belts, disk flywheels and shaft protector	26
4.9.5	Rotor lock	27
4.9.6	Splash guard	28
4.9.7	Safety markings	28
4.10	Authorized persons	29
4.11	Personal protective gear	30
4.12	Safety measures at the application site	31
4.13	Fire fighting agents	31
4.14	Cleaning agents	31
4.15	Conduct in case of an emergency	31
4.16	Classification of specific safety advice	32

PART A: Basic machine

Granulator

E 50 Series

5	Description of the machine	33
5.1	Grinding material in feed	33
5.1.1	In feed hopper	33
5.1.2	Additional in feed device	34
5.2	Base frame E 50/50 and 50/70	35
5.3	Base frame E 50/100 and 50/140	36
5.4	Drive	37
5.5	Granulator upper section	38
5.5.1	Deflection wedge /block knife (optional)	39
5.6	Granulator lower section	40
5.6.1	Rotor and cutting knives	40
5.6.2	Screen and screen support	42
5.7	Manual opening devices (only E 50/50 and 50/70)	43
5.8	Hydraulic opening device (only E 50/100 and 50/140)	44
5.8.1	Hydraulic controls	45
5.9	Discharge of grinding material	46
5.10	Housing design	47
6	Initial startup	48
6.1	General Advice	48
6.2	Requirements at the application site	48
6.3	Unloading and installing the machine	49
6.4	Electrical connection	50
6.5	Machine check prior to initial start-up	52
7	Operation	53
7.1	Machine checks before switching on the machine	53
7.2	Switch on machine	53
7.3	Switch off machine	54
7.4	Manual in feed of grinding material	54
8	Maintenance	55
8.1	Safety advice	55
8.2	Maintenance plan	55
8.3	Checking the protective devices	56
8.4	Open and close the granulator (E50/50 and 50/70)	57
8.4.1	Opening the granulator upper section	57
8.4.2	Closing the granulator	58
8.5	Open and close the granulator (E50/100 and 50/140)	59
8.5.1	Opening the granulator upper section	59
8.5.2	Closing the granulator	60

PART A: Basic machine

Granulator

E 50 Series

8.6	Replacing the screen (E50/50 and 50/70)	61
8.7	Replacing the screen (E50/100 and 50/140)	62
8.8	Cleaning the machine	63
8.9	Replacing the main bearings	64
8.9.1	Dismounting the main bearings	64
8.9.2	Mounting the main bearing	65
8.10	Lubricating the main bearings	66
8.10.1	Lubrication intervals:	66
8.10.2	Check lubricant quality	66
8.10.3	Replacing or refilling lubricant	66
8.10.4	List of lubricants	68
8.11	Mounting and dismounting TAPER-LOCK tensioning element	69
8.11.1	Table for the tightening torque of the screws	69
8.11.2	Mounting the TAPER-LOCK tensioning element	70
8.11.3	Dismounting the TAPER-LOCK tensioning element	70
8.12	Work on the "V"-belts	71
8.12.1	Checking the tension force of the "V"-belt	71
8.12.2	Retensioning and relaxing the "V"-belt	72
8.12.3	Checking "V"-belt condition, replacing "V"-belt	72
8.13	Working on the cutting knives	73
8.13.1	Replacing and checking the cutting knife mountings	73
8.13.2	Checking the condition of the cutting knives	74
8.13.3	Dismounting the cutting knives	75
8.13.4	Mounting the cutting knives	76
8.13.5	Sharpening cutting knives	77
8.13.6	Setting the cutting knives	80
8.13.7	Transporting and storing the cutting knives	82
8.14	Deflection wedge removal	83
9	Troubleshooting	85
9.1	Machine blocks or switches itself off	85
9.2	Rotor does not grip bulky material	85
9.3	Overheating of the grinding material	85
9.4	Unusual vibrations	86
9.5	Extreme cutter wear	86
9.6	Bearings too hot	86
9.7	Too many fines in grinding material	86
9.8	Cutting gap alters during operation	86
9.9	Screen damage	87
9.10	Granulator does not start	87
9.11	Granulator blocks when under load	87
9.12	Frequent switching off of grinding material in feed device	87

**PART A: Basic machine
Granulator
E 50 Series**

10	Storage, disposal, transportation	88
10.1	Storage	88
10.2	Disposal	88
10.3	Transportation	88
11	Hydraulic MAINTENANCE	89
12	Customer service and spare parts orders	91
13	Spare Parts List	92
13.1	E 50/50	92
13.2	E 50/70	95
13.3	E 50/100	98
13.4	E 50/140	101
14	Hydraulic Unit SHC113-00-2T	110
14.1	Hydraulic Diagram	110
14.2	Spare parts list hydraulic unit	111
14.3	Hydraulic Unit	112
15	CLARIFICATION FOR PERSONAL TRAINING	113
16	Electrical Connection	114
17	DIMENSIONS OF STANDARD MACHINE	115
17.1	E50/50	115
17.2	E50/70	116
17.3	E50/100	117
17.4	E50/140	118
18	ADDITION	119

1 INFORMATION ON THIS INSTRUCTION MANUAL

Author: VIRTUS EQUIPMENT

No part of this operation manual may be reproduced, distributed or used in any shape or form, stored in a data processing system or translated into another language without written permission.

This operation manual serves to help you to get to know your machine and how to make use of its application possibilities in accordance with the regulations.

The operation manual contains important information on how to operate the machine safely, correctly and economically. Following this advice will help you to avoid danger, minimize repair costs and down times and to increase the reliability and durability of the machine.

Before you begin to work on and with the machine, please read the operation manual thoroughly. Only after you have read and understood the contents of this operation manual may you begin work on and with the machine. Keep this operation manual at the application site for future reference.

References to chapters, plans and other documents as well as key markings are written in *italics*.

↓ Instructions on handling are marked in this way.

The machine is designed in modular system and offers a wide spectrum of variations to do justice to your expectations. In order that you receive with the delivery of your machine all the information relevant for you, this operation manual is divided into three parts:

1. Part A: Information of the basic machine.
2. Part B: Plans, operation manuals for systems from other manufacturers etc.

Should you wish to order further operation manuals, please quote the machine number.

We wish you every success with your new machine!

**PART A: Basic machine
Granulator
E 50 Series**

2 TECHNICAL DATA

E 50/50

Cutting chamber opening:	Data in mm:	540x516
Rotor dimension:	Diameter in mm:	500
	Width of cut in mm:	500
Rotor type S-5	5-knives-version	
Rotor knives:	Rows of knives:	5
	No. of rotor knives:	5x2
Stator knives:	No. of stator knives:	2
	Rows of stator knives:	2
Rotor speed (50 Hz):	rpm	528
Width:	Data in mm:	1130
Length:	Data in mm:	1680
Height:	Data in mm:	2510
Drive motor:	Power in kW:	30kw
Screen:	Type and screen hole size dependent on the application and customer requirements.	hand opening of screen holder
Opening device:	Standard	Hand Jack
Machine weight:	In kg	Approx. 2100
Electrical connection data:	markings are attached to the machine	
Noise level: Depends on plant location and type of grinding material!	Without noise equipment, in dB(A):	Approx. 110
Dimensions:	See Layout drawing	

PART A: Basic machine
Granulator
E 50 Series

E 50/70

Cutting chamber opening:	Data in mm:	540x716
Rotor dimension:	Diameter in mm:	500
	Width of cut in mm:	700
Rotor type S-5	5-knives-version	
Rotor knives:	Rows of knives:	5
	No. of rotor knives:	5x2
Stator knives:	No. of stator knives:	2
	Rows of stator knives:	2
Rotor speed (50 Hz):	rpm	528
Width:	Data in mm:	1330
Length:	Data in mm:	1680
Height:	Data in mm:	2510
Drive motor:	Power in kW:	37kw
Screen:	Type and screen hole size dependent on the application and customer requirements.	hand opening of screen holder
Opening device:	Standard	Hand Jack
Machine weight:	In kg	Approx. 2400
Electrical connection data:	markings are attached to the machine	
Noise level: Depends on plant location and type of grinding material!	Without noise equipment, in dB(A):	Approx. 110
Dimensions:	See Layout <i>drawing</i>	

PART A: Basic machine
Granulator
E 50 Series

E 50/100

Cutting chamber opening:	Data in mm:	540x986
Rotor dimension:	Diameter in mm:	500
	Width of cut in mm:	970
Rotor type S-5	5-knives-version	
Rotor knives:	Rows of knives:	5
	No. of rotor knives:	5 x 2
Stator knives:	No. of stator knives:	2
	Rows of stator knives:	2
Rotor speed (50 Hz):	rpm	470
Width:	Data in mm:	1650
Length:	Data in mm:	1910
Height:	Data in mm:	2510
Drive motor:	Power in kW:	45kw
Screen:	Type and screen hole size dependent on the application and customer requirements.	Hydraulic opening of screen holder
Opening device:	Standard	Hydraulic opening
Machine weight:	In kg	Approx. 3100
Electrical connection data:	markings are attached to the machine	
Noise level: Depends on plant location and type of grinding material!	Without noise equipment, in dB(A):	Approx. 110
Dimensions:	See Layout drawing	

PART A: Basic machine
Granulator
E 50 Series

E 50/140

Cutting chamber opening:	Data in mm:	
Rotor dimension:	Diameter in mm: Width of cut in mm:	
Rotor type S-5	5-knives-version	
Rotor knives:	Rows of knives:	
	No. of rotor knives:	
Stator knives:	No. of stator knives:	
	Rows of stator knives:	
Rotor speed (50 Hz):	rpm	
Width:	Data in mm:	
Length:	Data in mm:	
Height:	Data in mm:	
Drive motor:	Power in kW:	
Screen:	Type and screen hole size dependent on the application and customer requirements.	Hydraulic opening of screen holder
Opening device:	Standard	Hydraulic opening
Machine weight:	In kg	Approx.
Electrical connection data:	markings are attached to the machine	
Noise level: Depends on plant location and type of grinding material!	Without noise equipment, in dB(A):	Approx. 110
Dimensions:	See <i>Layout drawing</i>	

3 GENERAL INFORMATION

3.1 Copyright

VIRTUS EQUIPMENT holds the copyright for these operation instructions, entrusted to the owner of the granulator for his personal use. These contains technical instructions and drawings which are not be copied complete or in part, distributed or used for reasons of unauthorized competition or for informing others.

3.2 Application

The granulator is designed for size-reduction of light plastic material such as PE, PP and PVC etc. The user is responsible for consequences resulting from incorrect operation: This will lead to the loss of the warranty as well as any compensation claims.

3.3 Safety

The granulator has been constructed in accordance to the general standards of technology and is fitted with safety devices to prevent accidents that could endanger the life or health of the operator. The company operating the unit is responsible for the compliance of the safety regulations. We recommend staff training courses at regular intervals subsequent to initial training during commissioning.

3.4 Inspection of goods

The goods must be inspected by the purchaser to ensure that the delivery is complete and free from damage during transport. In the event of any queries VIRTUS must be informed with regard to missing items or transport damage. In the event of actual transport damage, written notification including photographs should be made and sent to the transport company as well as sent to VIRTUS immediately after delivery.

4 GENERAL SAFETY ADVICE

4.1 Safe operation of the machine

The machine is built according to the state of the art and recognised safety regulations.

It is equipped with protective devices; however there is still the threat of danger in case of incorrect conduct or misuse:

- for the health of the operator and that of other persons,
- for the machine,
- for the environment,
- for material assets belonging to the company and the operator.

All persons involved in:

- transportation and storage,
- start-up and shutdown,
- operation,
- setting and fitting
- maintenance and waste disposal...

of the machine must carefully read and take note of the following advice. However, not only the general safety advice listed in this chapter has to be observed, but also the safety advice which is added specifically in the other chapters.

Failure to heed this safety advice can lead to loss of all compensation claims.

Furthermore, the existing rules and regulations for the prevention of accidents as well as in house company working, operational and safety regulations have to be observed.

4.2 Use in accordance with the regulations

The operational safety of the delivered machine is only guaranteed for use in accordance with the regulations!

This regulation use is only achieved if the following points are observed and fulfilled.

Manufacturing process and grinding material

The granulator is suitable exclusively for the grinding of light material, which corresponds to the agreed customer-specific specifications in all points (see *Contract of sale*).

Any other work or design will differ from the specified requirements. VIRTUS EQUIPMENT will not be held responsible. The specified requirements also include all information found in the owner's manual such as maintenance and service.

Any change in the specifications or requirements must be brought to the attention of VIRTUS.

Suction unit

If emissions occur during grinding of material, which exceed the permissible legal values for contaminants in the air, the granulator may only then be operated when the customer on site has installed a suitable air suction device.

Safety device for the in feed hopper

In the case that your design of granulator does not contain any additional in feed device (e.g. nip roll feed device), the in feed hopper must be safeguarded in a suitable way against persons reaching in or falling in.

Connection of the Emergency Stop button

The machine may only be operated with the installed Emergency Stop buttons. In case no Emergency Stop buttons have been installed, an Emergency Stop button must be mounted on the control cabinet, the second on the material in feed.

Miscellaneous:

- The working conditions and instructions specified in this operation manual must be adhered to.
- The machine is not suitable for operation in an explosive environment.
- Faults, which can impair safety, are to be reported immediately and eliminated by a trained and skilled specialist.
- The machine may only be used in the industrial application range.

General Requirements Safety Information

- The service and maintenance in this owner's manual must be performed on a regular basis.
- The machine is not designed for operation in a volatile environment.
- Faults that could be a safety factor must be reported immediately and repaired by experienced personal.
- The machine must only be installed in a production type building.

Known uses not in accordance with the regulations

Never grind grinding materials, which do not correspond to the agreed customer-specific specifications. If this occurs, there is a danger to persons and the possibility of the machine being damaged.

Informal Safety Requirements

The owner's manual should always be located near the machine. New excerpts or additions to the owners' manual must always be replaced to include any safety requirements or environmental requirements.

All safety or caution signs must be visual and easy to read.

4.3 Liability and Responsibility

The General Conditions of Sale and Delivery basically apply. These conditions apply no later than the end of the contract. Liability and or responsibility to seller do not apply to the following;

- Equipment is not properly used for its specific application.
- Non-conforming installation, commissioning or service of the machines.
- Operation of the equipment without proper safety guards.
- Not conforming to the directions of the owners' manual regarding transport, storage, installation, commissioning or servicing the equipment.
- Any designs alterations on the machine.
- Any changes on the program logic which can alter the machine operation or electrical function.
- Changes in the logic function.
- In proper maintenance or serving the machines that can lead to extraordinary wear
- In proper serving of equipment
- Spontaneous crashes caused by foreign objects falling into the machine or acts of God

We honour a 12 month guarantee valid after delivery under the conditions that originally delivery or original parts from VIRTUS Machinery & Recycling Technology are used or accepted for use in accordance with our owners manual.

Otherwise the guarantee will be considered invalid. Excluded are wear and tear parts such as knives, screens, drive belts, bearings, etc.

4.4 Structural changes, spare parts, accessories

For reasons of safety, remodelling and modifications to the machine, in particular to the electrical devices, are only permissible by arrangement with the manufacturer!

Replace faulty parts immediately. Only use original spare parts or spare parts from other manufacturers, which correspond, to the original spare parts with regards to function, stress and safety. This applies in particular for reasons of EMC (electro-magnetic compatibility) for electrical components. If parts are replaced which are relevant for safety, they must be checked afterwards for proper functioning.

Only use accessories, which have been approved by the manufacturer. Use of accessories can change work with the machine. You must therefore observe the additional advice for your work and your safety. Read *Part B: Accessories*, before you commission the machine.

4.5 Operation manuals from other manufacturers

Integrated in the machine are systems from other manufacturers. When working on or with these systems, please observe the advice in the operation manuals from the respective manufacturer. These operation manuals are enclosed with the machine documentation.

4.6 Noise levels and noise control measures

The GSE series granulator standard design is without a sound proof enclosure.

The noise level of the granulator at idle speed is approximately 90 dB (A).

Especially by rigid materials soundproofing is recommended due to a noise level of up to 120 dB (A) when in operation.

In order not to exceed the noise level of 90 dB (A) is the purchaser required to provide soundproofing.

The noise level can be affected by foundation static or dynamic, aux. blowers etc. or other additional equipment. Therefore it is necessary to actually determine if the noise level is directly coming from the machine or accessory equipment.

VIRTUS EQUIPMENT offers the following equipment to reduce the noise levels:

- C series Granulators



CAUTION

The user or purchaser is responsible for compliance with the instructions and procedures!

4.7 Work stations

During normal operation, the work station is the station at the in feed of the grinding material.

For maintenance work, the whole area around the machine is at your disposal.

4.8 Remaining risks

The machine is constructed so that you are able to operate it safely. Structurally non-avoidable dangers are prevented as well as possible by the protective devices. A certain remaining risk does however always remain! Being aware of these remaining risks of the machine will help you to structure your work more safely and in so doing to avoid accidents.

To avoid danger, please observe in addition the specific safety advice in the individual chapters.

4.8.1 Mechanical dangers

Type of danger:	Danger of crushing by heavy parts falling down or falling over.
Activity:	Unloading and transporting the machine or machine components.
Possible consequences:	Serious injury could result.
Preventative measures:	Wear personal protective gear. Follow the instructions in this <i>Operation manual</i> .

Type of danger:	Danger of cutting caused by sharp cutting knives, even when the rotor is stationary.
Activity:	Knife replacement, knife setting, and knife sharpening, other maintenance work.
Possible consequences:	Serious injury, particularly to hands and fingers can result.
Preventative measures:	Wear personal protective gear. Follow the instructions in this <i>Operation manual</i> .

Type of danger:	Danger of crushing when closing the granulator upper section.
Activity:	Maintenance work.
Possible consequences:	Serious injury can result.
Preventative measures:	When closing the granulator upper section, ensure that no persons are in the danger area.

Type of danger:	Tripping over cables and other objects lying around.
Activity:	All activities.
Possible consequences:	Serious injury can result.
Preventative measures:	Lay cables in accordance with the regulations. Keep work station clean and tidy.

PART A: Basic machine
Granulator
E 50 Series

Type of danger:	Danger of crushing, cutting and amputation caused by up to 3 minute run down of the rotor.
Activity:	Maintenance work.
Possible consequences:	Serious injury or death can result.
Preventative measures:	The housing upper section must always be tightly locked during operation using the connecting screws. Do not make the run down safety devices ineffective by using technical aids or other manipulations. Never check by hand whether the rotor has come to a stop.

Type of danger:	Danger of pulling in caused by running "V"-belts.
Activity:	All activities.
Possible consequences:	Hair, jewellery etc. can be pulled into the machine. Serious injury can result.
Preventative measures:	Never dismount "V"-belt protection and window.

**PART A: Basic machine
Granulator
E 50 Series**

4.8.2 Electrical dangers

Danger:	Direct or indirect contact with live parts in the terminal box.
Activity:	Maintenance work, start-up.
Possible consequences:	Serious injury or death.
Preventative measures:	<p>Trained electricians may only carry out all work on the electrical equipment.</p> <p>If work is necessary on parts, which conduct dangerous voltage, a second person should be called in who can break the power supply in case of emergency.</p> <p>The yellow-marked lines conduct voltage even when the machine is switched off (main switch to 0).</p> <p>Only use original safety fuses with stipulated intensity of current.</p> <p>Faulty electrical components must be replaced immediately.</p> <p>If faults occur in the electrical energy supply, switch machine off immediately.</p> <p>The terminal box must be locked during operation. Before opening the terminal box: Main switch to 0.</p>

4.8.3 Dangers caused by the control system

Type of danger:	Danger caused by failure of the Emergency Stop function.
Activity:	All activities.
Possible consequences:	Serious injury or death.
Preventative measures:	It must be guaranteed that failure of an Emergency Stop button is displayed and leads to an immediate stop of the machine.

**PART A: Basic machine
Granulator
E 50 Series**

4.8.4 Thermal dangers

Type of danger:	Danger of fire and explosion caused by throwing dangerous objects (e.g. spray cans) into the granulator.
Activity:	Grinding.
Possible consequences:	Serious injury or death can result.
Preventative measures:	Only grind grinding material, which corresponds to the agreed customer-specific specifications in all points.

4.8.5 Dangers caused by noise

Type of danger:	Damage to hearing.
Activity:	All activities.
Possible consequences:	Diminished hearing, headaches, impaired balance, and deterioration of concentration.
Preventative measures:	Reduce noise emissions by taking suitable measures. Wear ear protection.

4.8.6 Dangers caused by vibration

Type of danger:	Instability of the granulator caused by vibration.
Activity:	All activities.
Possible consequences:	Serious injury can result.
Preventative measures:	Install the machine according to the instructions of this <i>Operation manual</i> and the <i>Assembly drawing</i> .

Type of danger:	Loosening of the cutting knife mountings caused by vibration.
Activity:	All activities.
Possible consequences:	Serious injury can result.
Preventative measures:	Check the cutting knife mountings regularly according to the instructions in this operation manual.

**PART A: Basic machine
Granulator
E 50 Series**

4.8.7 Dangers caused by materials and substances

Type of danger:	Inhalation of grinding dust.
Activity:	All activities.
Possible consequences:	Diseases of the respiratory tract etc.
Preventative measures:	Mount a suitable air suction device. Wear breathing equipment if necessary. When cleaning the machine do not blow out grinding dust, use suction instead.

4.8.8 Danger caused by manipulation of the protective devices

Type of danger:	Danger of crushing, cutting and amputation.
Activity:	All activities.
Possible consequences:	Serious injury or death can result.
Preventative measures:	Never make the protective devices ineffective. Check the protective devices regularly for proper functioning according to the specifications given in this operation manual.

PART A: Basic machine

Granulator

E 50 Series

4.9 Protective devices

The machine may under no circumstances be operated without these protective devices or with faulty or manipulated protective devices. The threaded spindles of the run down safety devices may only be rotated by hand.

4.9.1 Safety device for suction trough and screen holder

Illustration:
Safety device



The granulator can only be operated if the front door is closed. The safety switch for the front door has a guard locking and can be only opened after the key switch “Door Open” at the panel is activated. The electrical time delay prevents that the machine can be opened before the machine comes to shutdown.

PART A: Basic machine

Granulator

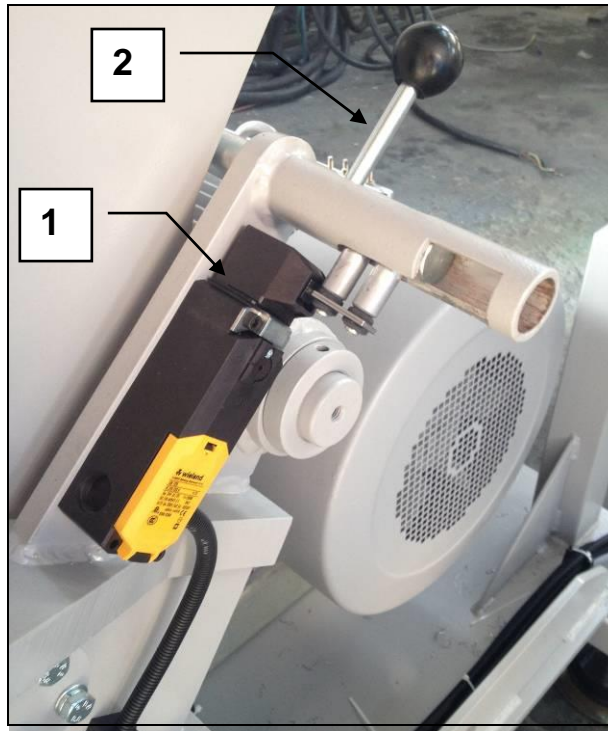
E 50 Series

4.9.2 Safety device for upper section at E 50/50 and 500/700

Illustration:

Safety device upper housing

- (1) Safety switch
- (2) Housing lock



The granulator upper section can be opened by means of a hand wrench. Before opening the housing lock by hand to free the upper housing section.

The housing lock can be only opened after the key switch “Door Open” at the panel is activated. The electrical time delay prevents that the machine can be opened before the machine comes to shutdown.

PART A: Basic machine

Granulator

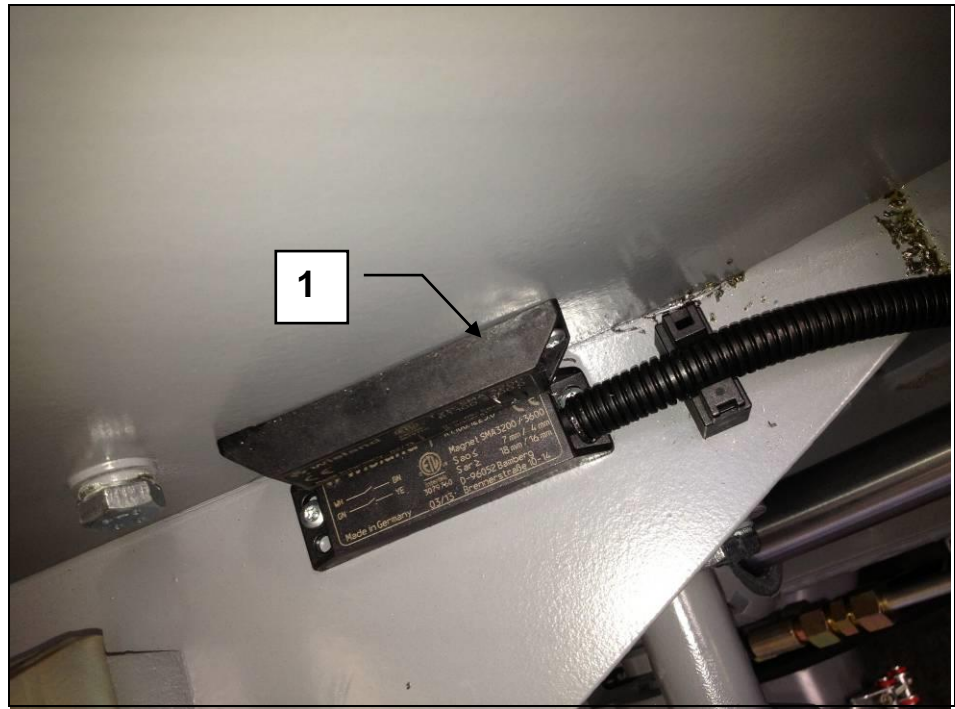
E 50 Series

4.9.3 Safety device for housing at E 50/100 and 500/1400

Illustration:

Safety device upper housing

(1) Safety switch for housing



The granulator upper section can be opened by means of a hydraulic system. After switching off the machine a time relay will be activated this prevents that the hydraulic system can be started before the rotor has come to a complete standstill.

Another safety switch is installed on the hinge of the granulator. This prevents the granulator being put into operation when the granulator upper section is opened.

A third safety switch is installed on the hinge of the screen holder. It prevents that the granulator can be started, when the screen holder is lowered.

PART A: Basic machine

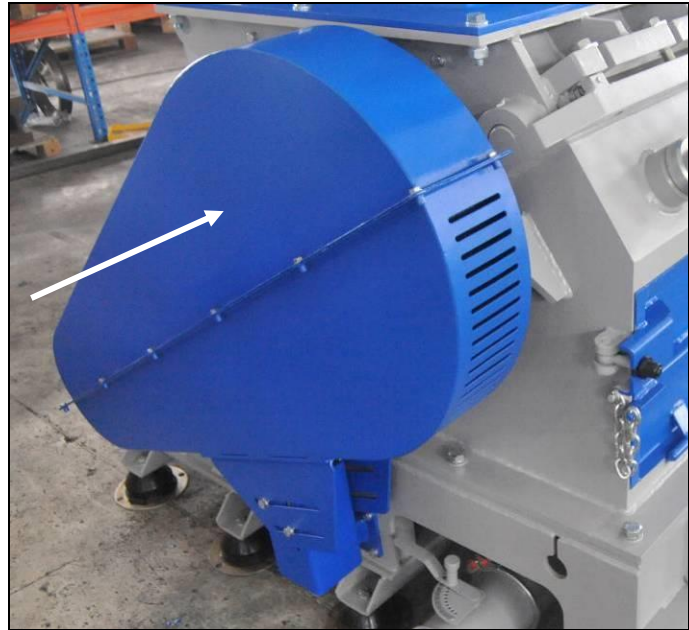
Granulator

E 50 Series

4.9.4 "V"-belts, disk flywheels and shaft protector

"V"-belt protection, disk flywheel protection (insofar as a disk flywheel is present) and shaft protector are fixedly connected to the machine. They can be dismantled for installation and maintenance work. However, this may only then be carried out when all rotating parts have come to a complete standstill.

Illustration:
V-belt cover with safety
switch



If machines are delivered on the request of the customer without drive motors, the operator is obliged to fit and mount the protective devices delivered together with the machine himself in line with the current legal safety regulations.

PART A: Basic machine

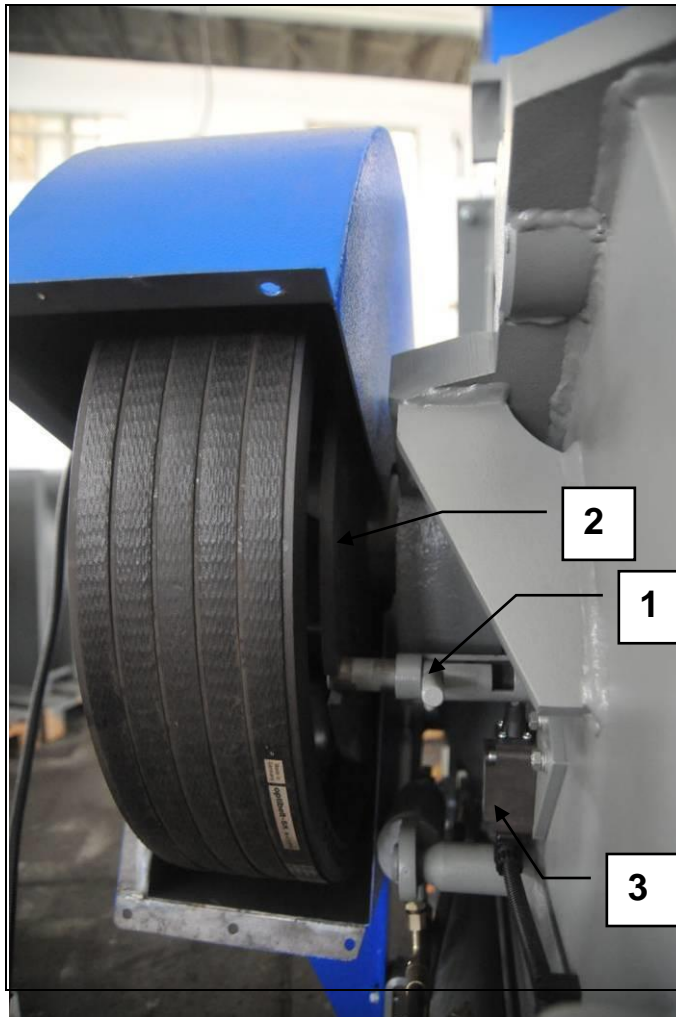
Granulator

E 50 Series

4.9.5 Rotor lock

Illustration:
Rotor Lock

- (1) Interlock
- (2) Looking disc
- (3) Safety switch for interlock



To secure the rotor against turning by knife change or other maintenance work, move the security interlock into the looking disc, which is mounted to the pulley.

The interlock is secured by a safety switch what will provide a damage to the lock caused by starting the machine

PART A: Basic machine

Granulator

E 50 Series

4.9.6 Splash guard

In case that the grinding material is introduced directly via the in feed hopper, the input opening is provided with a splash guard.

Illustration:
Hopper splash guard



Attention:

Fixation of the splash guard curtains must be checked every month.

4.9.7 Safety markings

Safety markings are attached to the machine. If one of these markings becomes detached or is no longer recognisable, it must be replaced. You can order new markings at specialist shops or from us.

4.10 Authorized persons

Authorized personnel may only carry out work on the machine. Observe the legally permissible minimum age!

As a basic rule, persons who have received training on the machine may only operate the machine.

Personnel, who are still to be trained or receive instruction on the machine, may only work on the machine under constant supervision by an experienced person.

The company operating the machine must make the operation manual accessible to the machine user and ensure that he has read and understood it. Only then may he put the machine into operation.

Responsibility for the different jobs on the machine must be clearly established and adhered to. There must be no unclear areas of authority, as this could endanger the safety of the machine user.

If several persons work on the machine, a detailed division of workstations should be set up.

Trained electricians may only carry out all work on the electrical equipment.

Authorized specialist personnel may only eliminate faults on the control system.

All work related to installation, trained specialist personnel having received instruction on the machine might only carry out fittings and maintenance of the machine.

The operator must make sure that only authorized person's work on the machine. He is responsible for the safety of third persons in the working area of the machine.

PART A: Basic machine

Granulator

E 50 Series

4.11 Personal protective gear

Wear close-fitting clothing. Jewellery and hair must be worn so that they cannot be pulled into the machine by moving parts.

The following protective gear must be worn when carrying out the following tasks:

	Safety helmet	Safety boots	Safety gloves	Safety goggles	Ear muffs
Unloading machine.	x	x	x		
Connecting machine.		x			
Operation.		x	x	x	x
Cleaning.		x	x	x	
Maintenance of bearings.		x			
Screen replacement.		x	x		
Maintenance of "V"-belts.		x			
Maintenance of cutting knives.		x	x		
Knife sharpening.		x	x	x	x

If necessary, protect yourself (in addition to the air suction device) with breathing equipment before inhaling substances harmful to the health.

4.12 Safety measures at the application site

Requirements at the application site: see chapter *Initial Start-up*.
The machine must be erected horizontally on a horizontal surface and in a stable manner.

Ensure by means of appropriate in house orders and controls that the environment of the work station is always clean and clear of obstructions.

4.13 Fire fighting agents

In the case of fire, disconnect the power supply of the machine or pull out the mains plug. Extinguish the fire from a distance of several meters using a fire extinguisher suitable for the machine and the grinding material.

4.14 Cleaning agents

Only use suitable cleaning agents to clean the machine and in doing so, the advice of the manufacturer is to be heeded. Please be aware that unsuitable cleaning agents (e.g. thinners) can damage the paint of the machine as well as the cables and plastic parts.

4.15 Conduct in case of an emergency

The machine may only be operated with the installed Emergency Stop buttons. An Emergency Stop button must be mounted onto the control cabinet, the second onto the grinding material in feed.

Emergency Stop:

- ↓ In case of emergency, immediately press one of the *Emergency Stop buttons*.

CAUTION

The EMERGENCY STOP must be activated in all situations whereby injury or damage could result!







Reoperation:



- ↓ Eliminate cause of Emergency Stop.
 - ↓ Unlock *EMERGENCY STOP BUTTON*.
 - ↓ Acknowledge fault.
- The machine is now ready for operation again.

4.16 Classification of specific safety advice

The specific safety advices in the following chapters of this operation manual are classified as follows:

 DANGER	
	Indicates an immediately threatening danger. If you do not take avoiding action, death or serious injury will result.

 WARNING	
	Indicates a possibly dangerous situation. If you do not take avoiding action, death or serious injury could result.

 CAUTION	
	Indicates a possibly dangerous situation. If you do not take avoiding action, slight or minor injury could result.

This safety advice refers to the remaining risks for certain working steps and helps you to work safely with the machine. In addition to the safety advice above, there are also the hint and the tip.

HINT



Indicates a possibly harmful situation. If you do not take avoiding action, the machine could be damaged.

TIP



Indicates application tips and other particularly useful information.

5 DESCRIPTION OF THE MACHINE

5.1 Grinding material in feed

The grinding material can be fed into the granulator in the following ways:

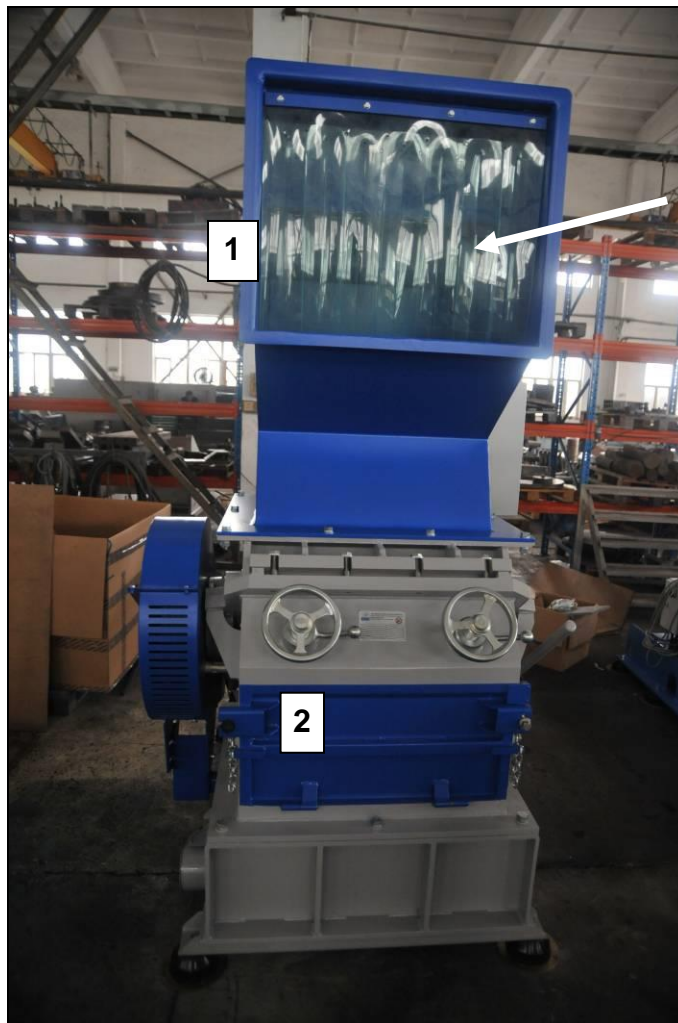
- Manual in feed of the grinding material directly into the in feed hopper.
- Automatic in feed of the grinding material by means of an additional in feed device (e.g. conveyor belt).



5.1.1 In feed hopper



The grinding material in feed ensues via an in feed hopper, which is formed so that the grinding material can be delivered correctly and safely. A splashguard at the input opening prevents thrown-back parts being able to escape. The grinding material in feed can take place manually or with the help of an additional in feed device.

Illustration:

- (1) Standard Infeed hopper
- (2) Machine



 DANGER	
	<p>Material fly back can occur out of the hopper opening. Serious injury or death can result. Do not remove the splash guards from hopper or throw in material larger than the hoppers capacity Splash guards has to be closed during grinding</p>

 WARNING	
	<p>If using a hopper with side infeed or pipe hopper: The material shall be shorter than 80% of the side arms length!</p>

5.1.2 Additional in feed device

If your machine has an optional in feed device such as roller feeder or conveyor belt please refer to the additional information about the accessories in the appendix.

PART A: Basic machine

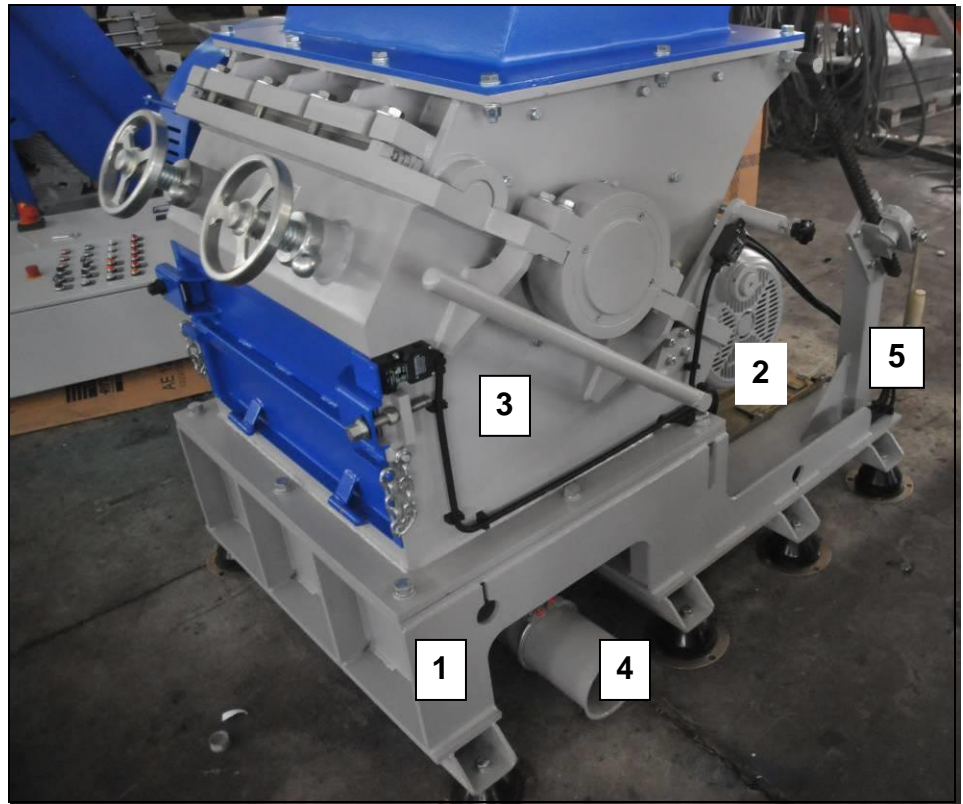
Granulator

E 50 Series

5.2 Base frame E 50/50 and 500/700

Illustration:

- (1) Base frame
- (2) Drive motor
- (3) Machine housing
- (4) Suction trough
- (5) Hand wrench



The machine housing, the suction trough, the drive motor and the hand wrench are mounted on the base frame.

The base frame is equipped with a sufficient number of vibration and noise muffling mounting pads.

PART A: Basic machine

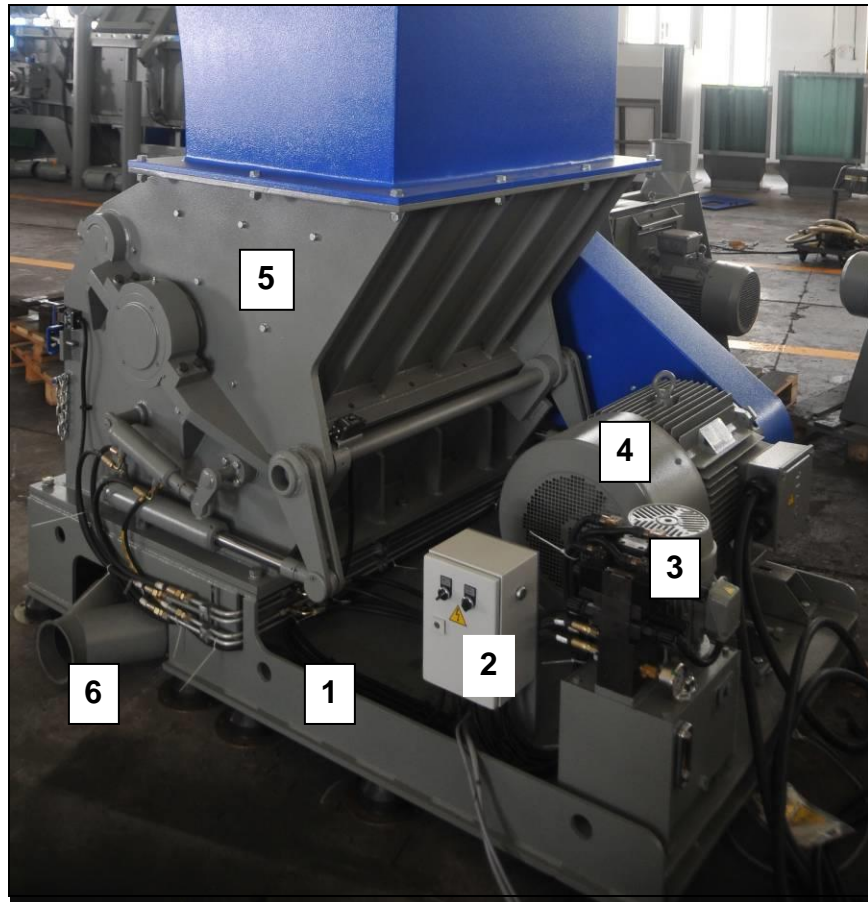
Granulator

E 50 Series

5.3 Base frame E 50/100 and 500/1400

Illustration:

- (6) Base frame
- (7) Terminal box
- (8) Hydraulic system
- (9) Drive motor
- (10) Machine housing
- (11) Suction trough



The machine housing, the suction trough, the drive motor, the hydraulic system and the terminal box, for the electrical connections, are mounted on the base frame.

The base frame is equipped with a sufficient number of vibration and noise muffling mounting pads.

PART A: Basic machine

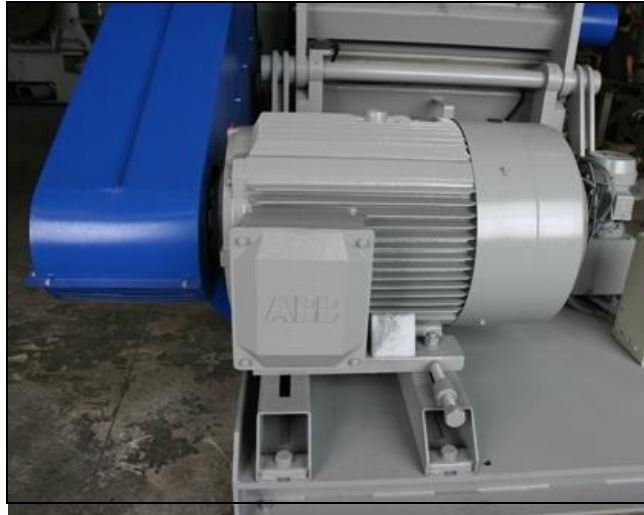
Granulator

E 50 Series

5.4 Drive

The drive of the rotor ensues by means of an electric motor via "V"-belts. The motor, which is mounted on sliding rails or a motor plate, can be adjusted for regulating the tension of the "V"-belts by means of tensioning screws. The "V"-belt pulley is attached with a special tensioning element to the motor shaft.

Illustration:
Drive

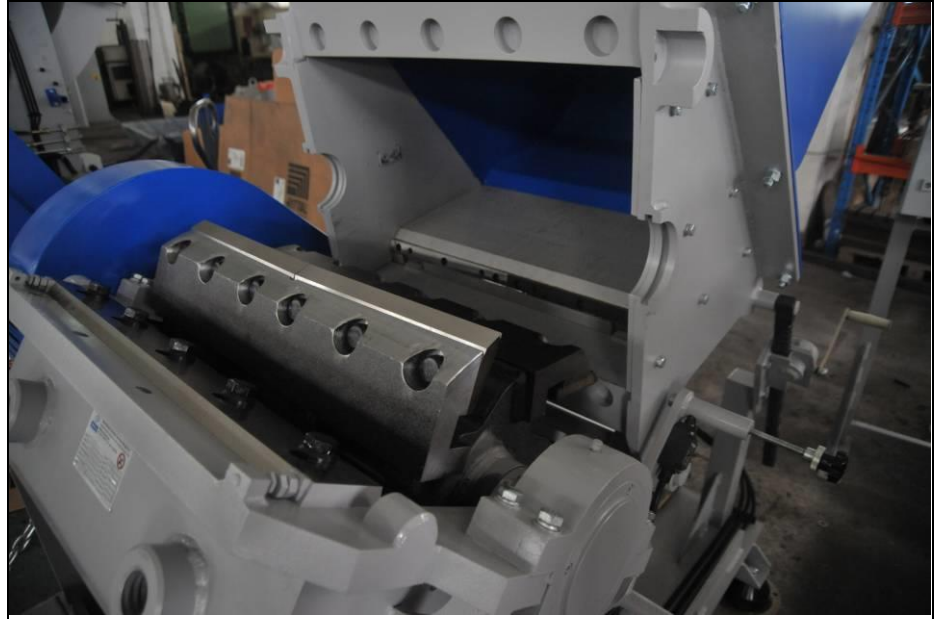


Please observe the operation manual from the manufacturer!

5.5 Granulator upper section

The granulator upper section can be opened or pivoted upwards for maintenance work and for cleaning. It is connected with the granulator lower section by means of a joint. Opening and closing ensues by means of a hand wrench. The in feed hopper mounted on the granulator upper section pivots with the granulator upper section.

Illustration:
Granulator upper section
(opened)



In addition, an anti-winding device can be also integrated on the granulator upper section. This prevents foil strips, for example, becoming wrapped around the rotor axis and thus causing operational faults.

PART A: Basic machine

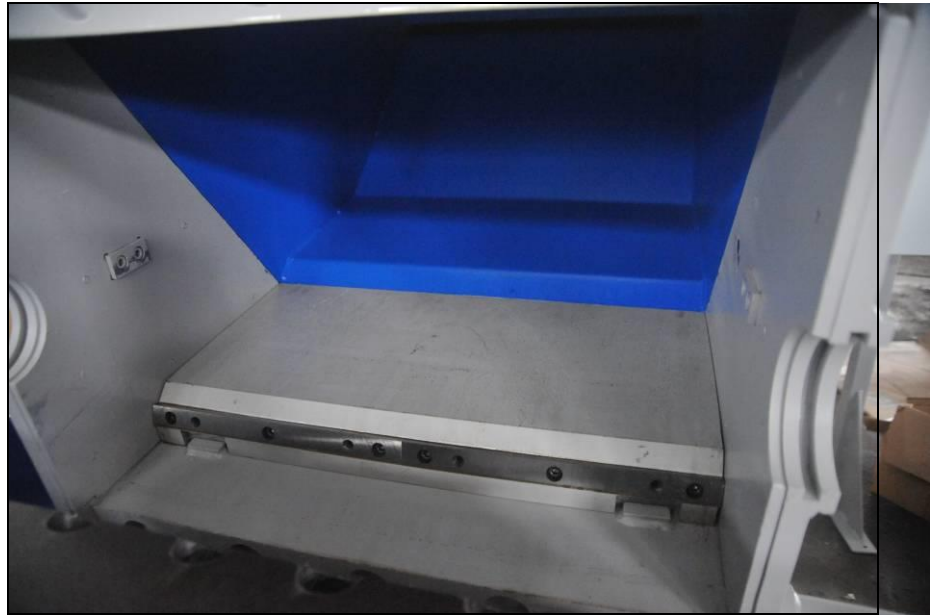
Granulator

E 50 Series

5.5.1 Deflection wedge /block knife (optional)

The deflection wedge, mounted in the upper section of the housing is a removable part. The deflection wedge and the block knives ensure that larger pieces of grinding material e.g. lumps, foil rolls etc. can be ground and do not cause blockage of the rotor.

Illustration:
Deflection wedge
(3.Stator knife)



PART A: Basic machine

Granulator E 50 Series

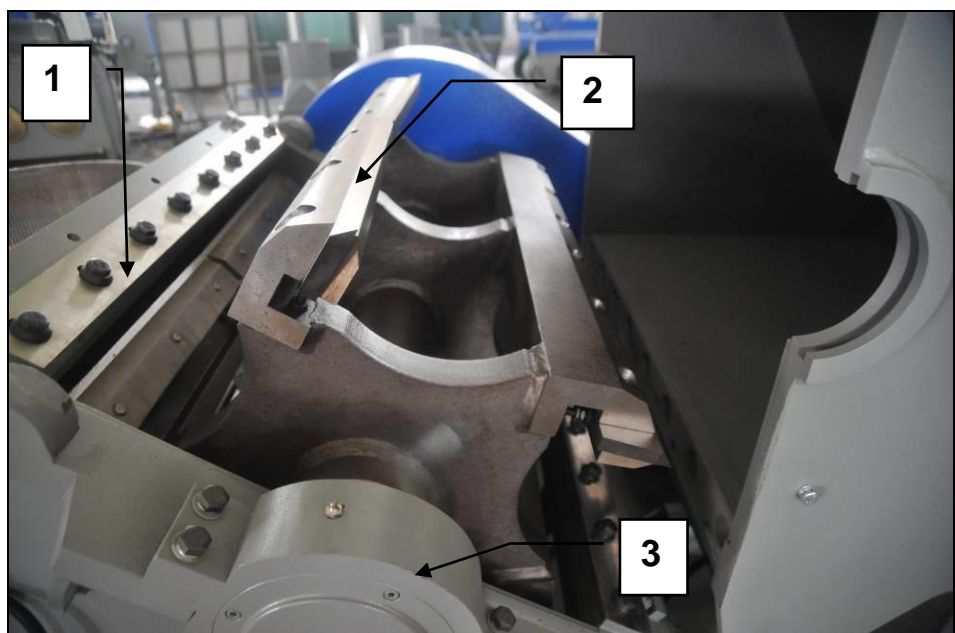
5.6 Granulator lower section

The granulator lower section and the drive are mounted onto the base frame. The rotor is arranged on bearings in the granulator lower section. The bearings lie outside the grinding chamber and are sufficiently sealed off against penetrating dirt. The stator knives which are installed in the granulator lower section are easily accessible and simple to install and dismantle. The ground material falls through a screen into the suction trough mounted underneath the rotor and can be sucked off from there.

5.6.1 Rotor and cutting knives

Illustration:

- (1) Stator knives
- (2) Rotor knives
- (3) Bearing



The material is ground between the knives assembled on the rotor and the stator knives which are mounted in a fixed position in the housing.

All rotors are equipped with either a single or a v-shaped scissor cut to decrease the power consumption and to increase the capacity of the machine, while avoiding high amp-peaks.

The design of the rotor has a significant influence on the quality of the grinding process and its results. The rotor construction, the type of knife mounting and the number of knives have all been exactly matched to your task allocation.

PART A: Basic machine

Granulator

E 50 Series

The rotor is arranged on roller bearings, which are situated outside the housing. The "V"-belt pulley is attached by means of a taper bush to the rotor axis. The rotor is dynamically counter balanced and has vibration-free concentricity. The rotor is accessible after opening the granulator upper section.

Illustration:
Bearing



PART A: Basic machine

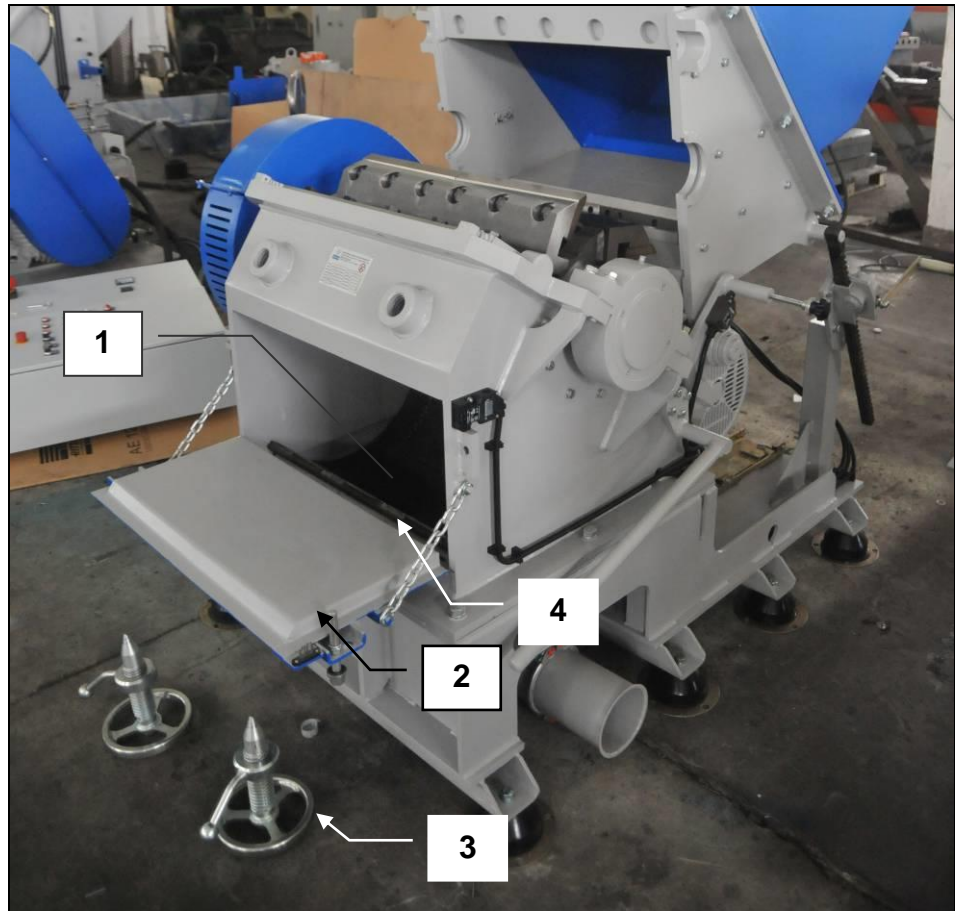
Granulator

E 50 Series

5.6.2 Screen and screen support

Illustration:

- (1) Screen
- (2) Housing door
- (3) Screws for screen support
- (4) Screen support



The screen lies in the supporting screen support in the granulator lower section. This screen support is arranged on bearings which can be pivoted and screwed into the working position with the granulator lower section.

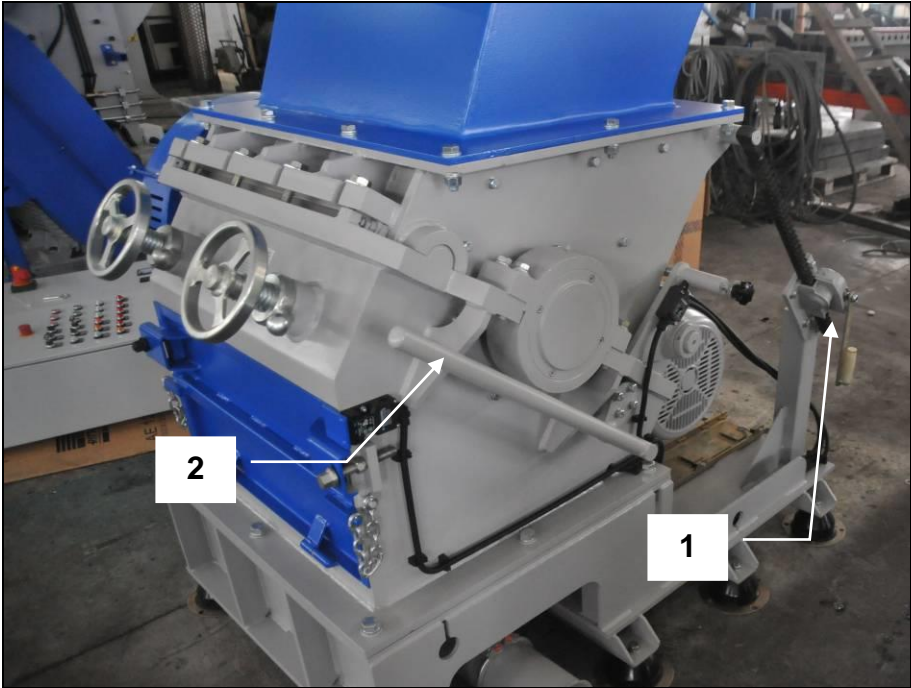
The screen is slightly larger in its radius than the cutting circle of the rotor knife. The screen perforation is selected according to the desired grain size of the grinding material. All grinding material parts which are smaller than the screen perforation fall through the screen into the suction trough. The screen is replaceable and can be taken out through the open housing flap of the granulator lower section.

PART A: Basic machine
Granulator
E 50 Series

5.7 Manual opening devices (only E 50/50 and 500/700)

Illustration:

- (1) Hand wrench
- (2) Support arm for screen



The granulator upper and the screen support section are opened and closed manually for maintenance work and cleaning. The housing opening is done using a hand wrench; the screen is lowered using a support arm.

PART A: Basic machine

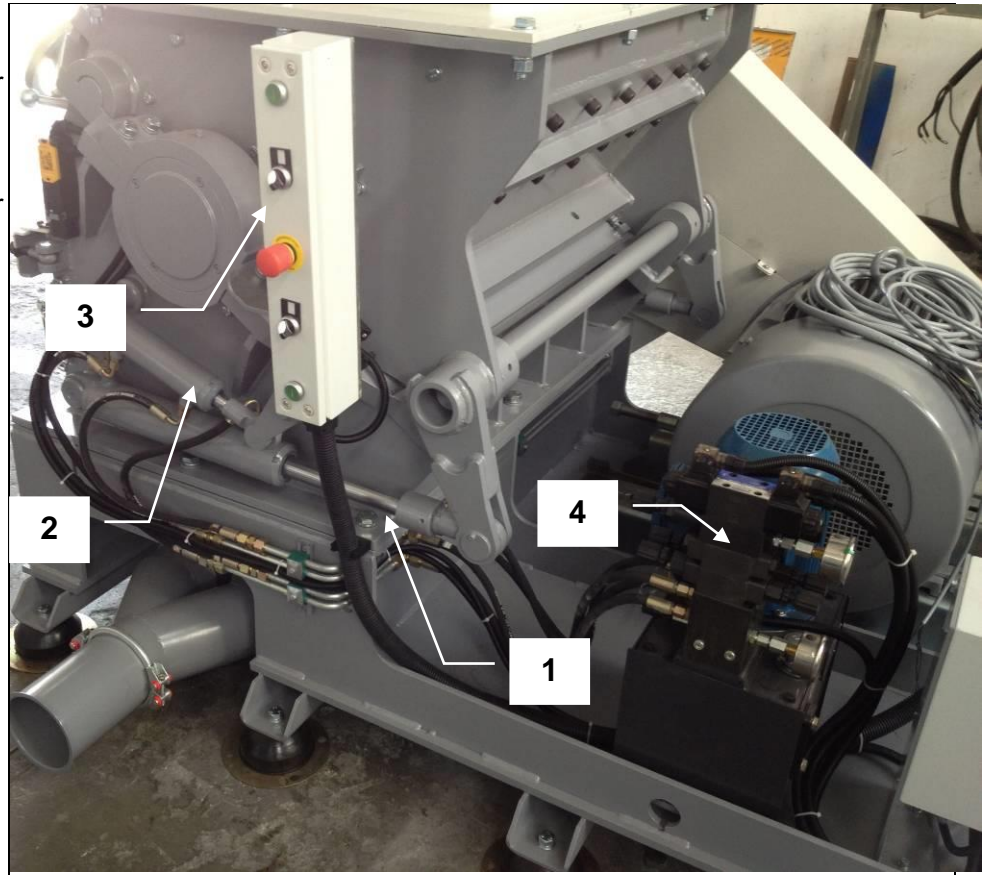
Granulator

E 50 Series

5.8 Hydraulic opening device (only E 50/100 and 500/1400)

Illustration:

- (1) Hydraulic cylinder for opening hopper and machine upper section
- (2) Hydraulic cylinder for screen support opening
- (3) Hydraulic operation panel
- (4) Hydraulic Unit



The granulator upper section and the screen support can be opened with a hydraulic system for maintenance work and cleaning. It is connected with the lower part by means of a joint.

The hydraulic unit is set ready for operation at VIRTUS. Normally adjustment work is not necessary. On the control box you have 2 buttons (Start) and 2 switches (hopper open/close and screen open/close).

PART A: Basic machine

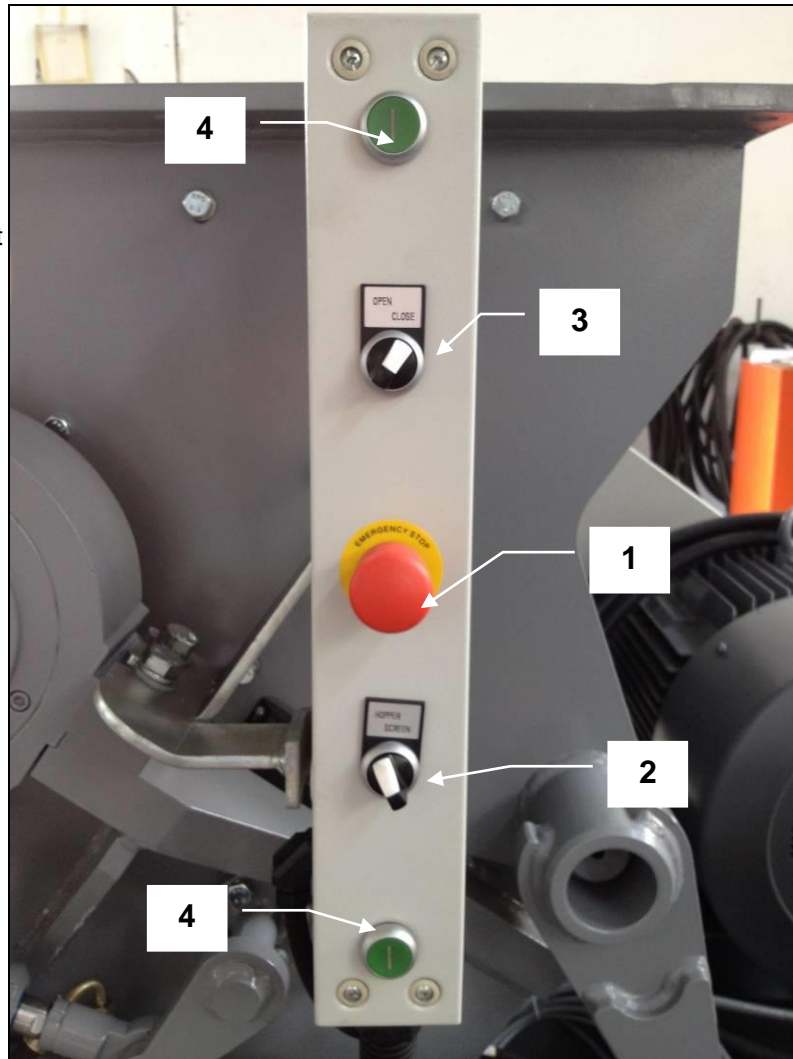
Granulator

E 50 Series

5.8.1 Hydraulic controls

Illustration:

- (1) Emergency STOP
- (2) Selector switch
SCREEN/HOUSING
- (3) Selector switch
OPEN/CLOSE
- (4) Two hand switch start
1 and 2



The hydraulic unit is set ready for operation at VIRTUS. Normally adjustment work is not necessary. On the control arm you have 2 buttons (Start) and 2 switches (hopper open/close and screen open/close).

PART A: Basic machine

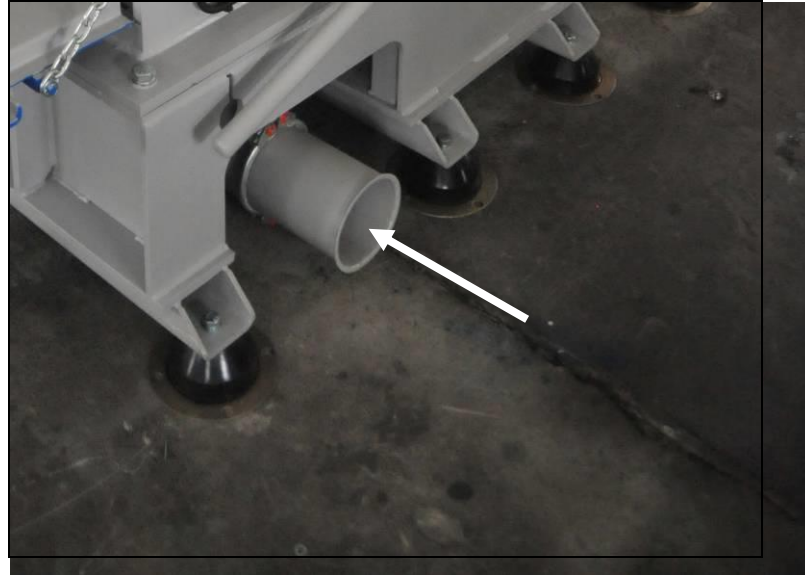
Granulator

E 50 Series

5.9 Discharge of grinding material

Illustration:

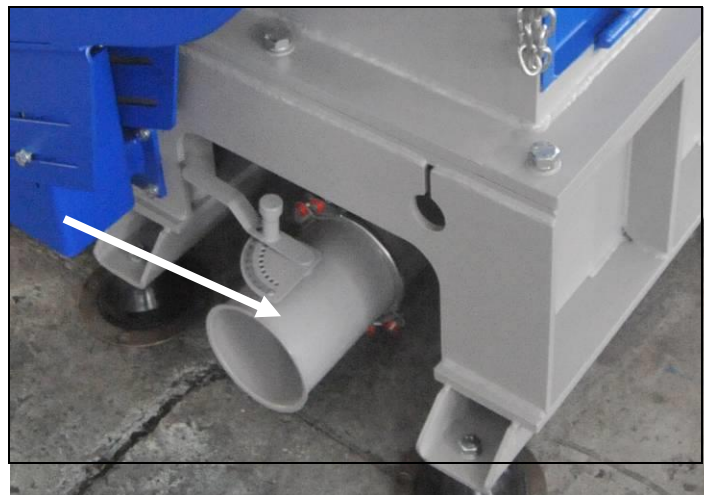
Pipe connection for blower



The ground material is sucked off by means of a blower out of the suction trough of the granulator. During this process, air is sucked through the in feed hopper of the granulator and drawn through the grinding chamber. At the same time, the grinding chamber and the grinding material are cooled. In addition, a partial air current is sucked in through the by-pass flap which is located on the suction trough. This air current can be regulated with the help of an air regulating flap mounted here.

Illustration:



By-pass flap



If a material blower is installed in your plant configuration, please observe the additional information for work with and on the material blower in *Part B: Accessories*.

5.10 Housing design

The housing is specially designed for the recycling of light and bulky parts, such as blow moulding rejects or big sprues and rejects in the injection moulding production of TV housing for example. To ensure that these bulky parts are ground properly the machine has an extreme tangential in feed combined with top mounted rotor blades

 DANGER!	
	<p>Those two designing factors on the other hand make the granulator very sensitive in means of mishandling the machine as over feeding or feeding of oversized or high impact strengthen parts that can cause serious damages to the granulator as well as to the operator!</p>

6 INITIAL STARTUP

6.1 General Advice

All work related to start-up may only be carried out by trained specialist personnel.

Check the machine for possible transportation damage or other damage. Should you determine damage, have this confirmed by the freight company and please report this to us in writing immediately after delivery. When starting up for the first time and after setting up ready for service, you must carry out the necessary checks according to the chapter *Machine Check prior to Initial Start-up*.




6.2 Requirements at the application site

The site of application for the machine must exhibit the following features:



- Enclosed space.
- The ground must exhibit sufficient load-bearing capacity (you can find the machine weight in the *Chapter Technical Data*). The unevenness of the ground surface may not exceed 5 mm.
- The machine must be freely accessible from all sides.
- There must be sufficient room available for operating and service personnel.
- Spatial requirements: see *Assembly drawing*. All hinged parts must be able to be opened completely.
- Vibration-free environment.
- The application site must be well-lit.
- The machine may not be exposed to direct radiation caused by radiators or the sun.
- Room temperature: +5° to +40°C
- Relative atmospheric humidity according to DIN 40040:
15 to 70 % (indoor)
By humidity levels higher than 70 %, apply anticorrosive agent to the metallic-finished machine parts. Insulation for the tropics is also necessary.
- The machine may not be operated within range of static discharges or strong magnetic fields as this could lead to faults in the machine control system.

6.3 Unloading and installing the machine

The machine or the machine components are packed so that they arrive with you safely. To see how the machine is packed or should be packed, please see the *Packing plan*. For unloading the packaged machine or machine components you may use a suitable crane or forklift truck.



 WARNING	
	<p>Suspended load. Falling loads can cause serious injury or death. Only use a crane or a forklift truck which is suitable for the weight and the dimensions of the load.</p>
	<p>Also use a suitable stopping means and pay attention to the gravity centre location. Do not step under the suspended load. Wear a safety helmet in addition to your basic protective gear.</p>

- ↓ After unloading, remove the packaging material and all transportation safety devices.
- ↓ In the case that the granulator and its accessory components have been delivered as individual items, mount these at the site of application using the mounting screws sent with the delivery exactly in accordance with the data given in the *Assembly drawing*. Only in this way can it be guaranteed that there are sufficient delivered piping parts, tubing and cable connections and that the linking places match.

 WARNING	
	<p>Overtipping or falling machine. Serious injury or death can result. In the case that you wish to erect the granulator over a pit, on a frame or on a platform, you must secure the machine by putting mounting screws through the holes on the mounting pads (see <i>Assembly drawing</i>). If assembling the machine on solid ground, this safety device is not absolutely necessary.</p>



- ↓ Align the machine horizontally with the help of a suitable spirit level.
Do not use blocks to place underneath the machine, use instead metal strips in order to prevent buckling of the base frame. Make sure that an even distribution of weight is achieved on all the points of support.

6.4 Electrical connection

 WARNING	
	<p>Dangerous voltage. Touching live parts can lead to serious injury or death. All work which relates to the electricity of the machine may only be carried out by trained electricians. Observe the currently effective EMC regulations.</p>

Voltage, current, frequency and protection are marked on the *Type plate*. The voltage tolerance is $\pm 10\%$.

- ↓ For machines, which have been supplied none pre-wired by VIRTUS the electrical connection, is to be carried out in accordance with the enclosed *Wiring diagram* in the terminal box. When doing this, the regulations of the local electricity authority are to be adhered to. The cable cross section required is to be determined according to the rated capacity of the units.

 WARNING	
	<p>When operating specific equipment caution must be taken to prevent electrical shock. Installation, service, alterations and or modifications must only be done by qualified personal and with up most safety. Not conforming to the requirements could result in bodily injury, death or costly damage.</p>



HINT

Alterations to the wiring diagrams from VIRTUS require our approval. Failure to do this will exclude all guarantee claims.

The wiring schematics are located in the control panel in the event that the control panel is a part of the delivery.

Connection of Emergency Stop button

The machine may only be operated with installed Emergency Stop buttons. In the case that no Emergency Stop buttons have been installed at the factory, an Emergency Stop button must be installed at the control cabinet, the second at the grinding material in feed.

Checking the rotational direction

Checking the rotational direction is part of the machine checks before initial start-up (see chapter of same name). The steps prior to this check must be carried out beforehand.

- ↓ Switch the machine on and then immediately off again for a short time (see *Switch on machine* and *Switch off machine*).
- ↓ Observe whether the discharge air fan in the drive motor is rotating in the direction of the attached direction arrow.



HINT

If running in the wrong direction, reconnect the motor connection immediately. Damage to the machine will result from operation in the wrong direction.

PART A: Basic machine
Granulator
E 50 Series

6.5 Machine check prior to initial start-up

Check	See chapter
1. When granulator is open, check the knife mounting screws using a torque wrench.	<i>Replacing and checking the cutting knife mountings.</i>
2. Search the grinding chamber for foreign matter.	<i>Cleaning the machine</i>
3. Open the housing flap on the housing lower section and check whether the screen has been inserted in accordance with the regulations.	<i>Emptying the screen</i>
4. Close granulator upper section and fasten screws tightly.	<i>Open and close the granulator.</i>
5. Examine in feed device (accessories) for foreign matter.	<i>Part B: Accessories.</i>
6. Check that the <i>Emergency Stop buttons</i> are unlocked.	
7. Check all safety devices for proper functioning.	<i>Checking the protective devices.</i>
8. Switch on machine for a short time and check rotational direction. The rotational direction can be seen at the discharge air fan of the drive motor (observe running direction arrow).	<i>Electrical connection.</i>
9. Allow machine to run for approx. 10 minutes without grinding material.	<i>Switch on machine.</i>
10. Connect material blower (accessories) and in feed device (accessories), check rotational direction of blower.	<i>Part B: Accessories.</i>
11. Feed grinding material uniformly. Too much grinding material can lead to overload of the machine.	<i>Manual in feed of grinding material.</i>
12. If necessary, check the temperature of the ground material.	
13. Monitor the ammeter. This displays the present current consumption and in this way gives information on the load of the machine. The ammeter is only integrated into granulators which have been delivered with an electrical control system.	
14. Open the air regulating flap on the by-pass flap far enough so that the trough is completely emptied (do not open further!).	<i>Discharge of grinding material</i>

7 OPERATION

**Have you read and understood the operation manual, in particular the safety advice in the chapter on?
You may not operate the machine until you have done so!**

TIP



Should faults occur during work with the machine, please observe the advice in the chapter

7.1 Machine checks before switching on the machine

Check	See
1. The knives are properly set and the screws are tightened with the specified torque.	<i>Replacing and checking the cutting knife mountings.</i>
2. The screen is inserted into the screen support in accordance with the rules and the screen support is held fixedly at the end position due to the tightened mounting screws.	<i>Emptying the screen.</i>
3. The grinding chamber is free of foreign matter.	Cleaning the machine
4. The suction trough below the screen support is closed.	<i>Emptying the screen.</i>
5. The granulator upper section is closed and screwed to the granulator lower section.	<i>Closing the granulator .</i>
6. All safety devices including those of the installed grinding material in feed and discharge devices are checked and operative.	<i>Checking the protective devices.</i>
7. The material blower is installed properly and the air regulating flap on the suction trough is set so that the grinding material can be completely sucked away.	<i>Part B: Accessories.</i>



7.2 Switch on machine

1. Switch on the grinding material discharge device.
2. Switch on the granulator (main switch to 1). Wait until the rotor has reached its full speed and switched from star to delta.
3. Switch on the grinding material in feed device (accessories).

7.3 Switch off machine

1. Switch off the grinding material in feed device (accessories).
2. Wait until the remaining grinding material has been ground, and then switch off the granulator, (main switch to 0).
3. Switch off the grinding material discharge device.

7.4 Manual in feed of grinding material

 DANGER	
	<p>Rotating knives. Can cause serious cutting and crushing injuries, possibly leading to death. Do not reach into the in feed hopper or lean in whilst the rotor is running (pay attention to the 3 minute run down time). Only use approved grinding material.</p>




- ↓ Throw the grinding material into the grinding chamber through the splash guard.

If in your design of machine an additional in feed device is installed, please observe the additional information for work with and on the in feed device *Part B: Accessories*.

8 MAINTENANCE

8.1 Safety advice

**Trained specialist personnel may only carry out work included within the framework of maintenance.
Carry out the maintenance work within the specified time and document this. The machine will thank you for this by providing high reliability.**

 WARNING	
	Danger caused by electrical voltage and starting the machine during maintenance work. Mortal danger.
	Therefore, as a basic rule when carrying out maintenance work: Main switch to 0, safeguard using padlock and attach a warning sign.

8.2 Maintenance plan

The tasks for maintenance work are described in detail in this chapter.

Maintenance work	Every day	Every week	Every month
Check protective devices for proper functioning.		x	
Clean machine.		x	
Check cutting knife mountings.	x		
Check the main bearings and regrease 80g			x
Lubricant replacement, lubricant renewal	See motor manual		
Check "V"-belt tension force and "V"-belt condition.			x
Check condition of cutting knives.		x	
Check all screws of the machine for a tight fit.		x	
Check wearing parts. (screen, wear plates)			x

Yearly maintenance



The purpose of yearly maintenance of the machine is primarily to check the general condition of the machine and to arrange for the supply of any necessary replacement parts in good time. A service engineer from VIRTUS Machinery & Recycling technology can also carry this out on request.

8.3 Checking the protective devices

For this, see also the chapter *Protective devices*.

Check the safety devices for:



- Stipulated condition,
- Stipulated location,
- Safe mounting,
- Stipulated function.

 WARNING	
	<p>Danger due to non-functioning protective devices. Serious injury or death can result.</p> <ul style="list-style-type: none">• Eliminate all defects before you put the machine into operation!• If defects occur during operation, stop the machine immediately and eliminate the defects!• Do not change or remove any protective devices. Do not put any protective devices out of action by modifying them.

PART A: Basic machine
Granulator
E 50 Series

8.4 Open and close the granulator (E50/50 and 50/70)

For some maintenance work it is necessary to open the granulator.

 WARNING	
	<p>Granulator upper section pivots downwards. Serious injury can result. Always open the granulator upper section completely. Intermediate positions are not allowed. Make sure when closing that no persons are in the danger area.</p>

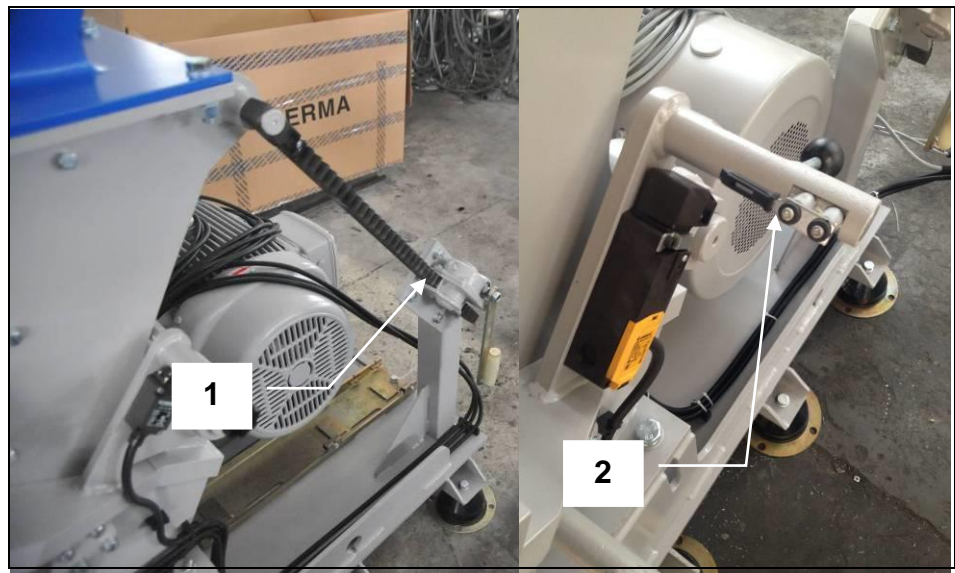
8.4.1 Opening the granulator upper section

Proceed as follows:

- ↓ Switch off the granulator at the main switch
- ↓ Activate the key switch “DOOR OPEN”
- ↓ Open the housing lock
- ↓ Open the bolts, which are connecting the lower with the upper section of the granulator

Illustration:

- (1) Hand wrench
- (2) Mechanical dime delay (threaded spindle)



- ↓ Open the housing by using the hand wrench



8.4.2 Closing the granulator

Proceed as follows:

- ↓ Clean all surfaces between the granulator upper section and the granulator lower section with a hand brush as well as all contact surfaces on the screen.
- ↓ Check that there are no objects in the grinding chamber.
- ↓ Close the hopper slowly to ensure that all parts fit properly, by using the hand wrench
- ↓ Tighten the connecting bolts between the granulator lower section and the granulator upper section.
- ↓ Close the housing lock
- ↓ Deactivate the key switch "DOOR OPEN"
- ↓ Machine can be started again.

8.5 Open and close the granulator (E50/100 and 50/140)

For some maintenance work it is necessary to open the granulator.

 WARNING	
	<p>Granulator upper section pivots downwards. Serious injury can result. Always open the granulator upper section completely. Intermediate positions are not allowed. Make sure when closing that no persons are in the danger area.</p>

8.5.1 Opening the granulator upper section

Proceed as follows:

- ↓ Switch off the granulator at the main switch
- ↓ Activate the key switch “DOOR OPEN”
- ↓ Activate the hydraulic via key switch on the control panel
- ↓ Open the bolts, which are connecting the lower with the upper section of the granulator.



- ↓ Open the hopper by using the hydraulic system, by pushing the start buttons of the 2 hand switch on the control arm. (Selector switch 1 at HOPPER and selector switch 2 at OPEN)

8.5.2 Closing the granulator

Proceed as follows:

- ↓ Clean all surfaces between the granulator upper section and the granulator lower section with a hand brush as well as all contact surfaces on the screen.
- ↓ Check that there are no objects in the grinding chamber.
- ↓ Close the hopper slowly to ensure that all parts fit properly, by pushing the start buttons of the 2 hand switch on the control arm. (Selector switch 1 at HOPPER and selector switch 2 at CLOSE)
- ↓ Tighten the connecting bolts between the granulator lower section and the granulator upper section.
- ↓ Switch of the hydraulic via key switch on the control panel
- ↓ Deactivate the key switch "DOOR OPEN"
- ↓ Machine can be started again.

8.6 Replacing the screen (E50/50 and 50/70)

In order to keep the throughput of the granulator and the quality of the grinding material constant, the condition of the screen must be checked regularly.

The screen may be damaged, dirty or not suitable for the grinding material:

- Screen holes too fine: overheating of the grinding material.
- Screen holes too course: parts in ground material which are too big.

Proceed as follows:

- ↓ Switch off the granulator at the main switch, safeguard main switch using a padlock.
- ↓ Switch off the granulator at the main switch
- ↓ Activate the key switch “DOOR OPEN”
- ↓ Open the housing flap.
- ↓ Unfasten the screen support mounting screws.



- ↓ Pivot the screen support downwards, by hand by using the support arm
- ↓ Remove the screen.
- ↓ Put a new screen into the screen support.
- ↓ Pivot the screen support into the working position and fasten using the mounting screws.
- ↓ Close the housing flap.
- ↓ Rotate the threaded spindle in completely by hand.
- ↓ Deactivate the key switch “DOOR OPEN”
- ↓ Granulator can be started again.

8.7 Replacing the screen (E50/100 and 50/140)

In order to keep the throughput of the granulator and the quality of the grinding material constant, the condition of the screen must be checked regularly.

The screen may be damaged, dirty or not suitable for the grinding material:

- Screen holes too fine: overheating of the grinding material.
- Screen holes too course: parts in ground material which are too big.



Proceed as follows:

- ↓ Switch off the granulator at the main switch, safeguard main switch using a padlock.
- ↓ Activate the key switch “DOOR OPEN”
- ↓ Rotate out the threaded spindle by hand.
- ↓ Open the housing flap.
- ↓ Unfasten the screen support mounting screws.





- ↓ Pivot the screen support downwards, by pushing the start buttons of the 2 hand switch on the control arm. (Selector switch 1 at SCREEN and selector switch 2 at OPEN)
- ↓ Remove the screen.
- ↓ Put a new screen into the screen support.
- ↓ Pivot the screen support into the working position, by pushing the start buttons of the 2 hand switch on the control arm. (Selector switch 1 at SCREEN and selector switch 2 at CLOSE)
- ↓ Fasten the screen support by using the mounting screws.
- ↓ Close the housing flap.
- ↓ Deactivate the key switch “DOOR OPEN”
- ↓ Granulator can be started again.

8.8 Cleaning the machine

 WARNING	
	<p>Danger of cutting caused by sharp cutting knives, even when the rotor is at a standstill. Serious injury, particularly to hands and fingers, can result. Wear protective gloves.</p>

Proceed as follows:

- ↓ Open granulator (see *Opening the granulator*).
- ↓ Remove the screen.
- ↓ Empty the screen.

 WARNING	
	<p>Inhalation of grinding dust which is dangerous to the health. This can result in injury to the respiratory tract. Never blow out the grinding material residue, use suction instead. Wear breathing protection if necessary.</p>

- ↓ Pre-clean the grinding chamber using a hand brush.
- ↓ Suck up the remaining grinding material residue using a suitable suction device.
- ↓ Remove clinging grinding material residue using a suitable wooden scraper.
- ↓ Put the screen into the screen support.
- ↓ Pivot the screen support into the working position using the hydraulic system and fasten with the mounting screws
- ↓ Close the granulator upper section (see *Closing the granulator*).
- ↓ Rotate in the threaded spindle completely
- ↓ Machine can be started again

8.9 Replacing the main bearings

The main bearings of the machine are dimensioned so that a bearing replacement is only necessary in exceptional cases. Dismounting and mounting of the bearings requires specialist knowledge and a careful working method. Therefore, in addition to the following advice, please observe the instructions given in the installation manual of the bearing manufacturer.

The bearings mounted in this machine are indicated in the spare parts list. A requirement for dismounting and mounting the bearings is a suitable pulling-off device.

8.9.1 Dismounting the main bearings

To dismount the bearings proceed as follows:

The parts which are marked with a piece number are illustrated in the drawings of the spare parts list!

- ↓ Dismount the "V"-belt cover.
- ↓ Dismount the "V"-belts (see *replacing the screen*).
- ↓ Loosen the tensioning element for the "V"-belt pulley (see, *Mounting and dismounting TAPER-LOCK tensioning element*).
- ↓ Pull the "V"-belt pulley off the rotor axis, do not tip up. Use suitable lifting and stopping means.
- ↓ Pull the distance sleeve off the rotor axis.
- ↓ If the granulator is equipped with a disk fly wheel, dismount this in the same way as the "V"-belt pulley.
- ↓ Open the granulator upper section (see *Opening the granulator*).
- ↓ Dismount the cutting knives (see *Dismounting the cutting knives*).
- ↓ Unscrew the bearing housing from the granulator lower section.
- ↓ Carefully lift out the complete rotor using suitable lifting and stopping means.
- ↓ Lay the rotor down in a safe location. Suitable for this are timber beams of appropriate size.
- ↓ Loose the bearings cover mounting screws and take off the bearing cover.
- ↓ Pull the bearing housing off with a pulling-off device.
- ↓ Pull the bearing off the rotor axis using a pulling-off device.

8.9.2 Mounting the main bearing

To mount the bearings proceed as follows:

- ↓ Before mounting, clean the bearing surfaces and the shaft surfaces thoroughly and grease lightly.
- ↓ Mount bearing in bearing housing.
- ↓ Attach the bearing with the bearing housing to the rotor axis.

HINT



- During mounting, the mounting forces must always engage into the inner ring, otherwise the roller bodies will be damaged.
 - The hardened bearing rings are sensitive to impact stress. For this reason, never hit directly on the rings with the hammer, use instead preferably a brass arbor or better still a striking bush (piping piece) made from a soft material. The inner diameter of the striking bush should be only slightly larger than the diameter of the bearing base.
 - The bearing is then pushed onto the shaft using light blows. When doing this, the force of pressure must be evenly distributed on the circumference of the bearing ring.
- ↓ Lift the rotor using suitable lifting and stopping equipment and put carefully into the receptacle of the granulator lower section.
 - ↓ Attach the bearing housing to the granulator lower section using screws.
 - ↓ Mount the cutting knives.
 - ↓ Close the granulator upper section (see *Closing the granulator*).
 - ↓ If the granulator is equipped with a disk flywheel:
 - ↓ Push the disk flywheel onto the rotor axis and tighten using the tensioning element.
 - ↓ Push the distance sleeve onto the rotor axis.
 - ↓ Mount the "V"-belt pulley and tighten using the tensioning element. (see, *Mounting and dismounting TAPER-LOCK tensioning element*).
 - ↓ Pull on "V"-belts and adjust the "V"-belt tension force (see *Retensioning and relaxing the "V"-belts*).
 - ↓ Attach the "V"-belt cover.
 - ↓ Carry out a test run.

8.10 Lubricating the main bearings

An important requirement for high operational safety and long service life of the arrangement of bearings is the correct lubricant supply. Every VIRTUS machine is greased and checked in test runs before delivery.

HINT



Unsuitable lubricant, lubricant deficiency, excessive lubrication or impurities in the lubricant lead to overheating and thus extreme wear of the bearings.

8.10.1 Lubrication intervals:

Shift operation	Replace lubricant	Check
One shift operation:	every 18 months	monthly
Two shift operation:	every 9 months	monthly
Three shift operation:	every 6 months	monthly

8.10.2 Check lubricant quality

You can judge whether the lubricant needs to be replaced by checking for the following features:

- change in consistency,
- discolouration,
- degree of soiling.

8.10.3 Replacing or refilling lubricant

HINT



- Fill the bearings uniformly with grease, so that all operating surfaces are well greased.
- For the rotor bearings, a lubricant quantity of one third to a maximum of half of the bearing volume per bearing is required. If too much grease is filled in, the lubricant will become unusable as a result of excessive temperature.
- Only one type of grease may be used, mixing different types of grease is not allowed. The bearings have been filled at the factory with lithium base saponification roller bearing grease F3.
- To find out which lubricants from which manufacturers you can use, look in the *List of lubricants*.

Refilling lubricant

The grease reaches through the circulating grooves and bores via lubrication nipples into the interior of the bearing.
The greasing quantity is 60 to 100 g roller bearing grease F3 per bearing.

Illustration:
Grease nipple



Replacing lubricant

Only in the case of unusual bearing noises or overheating is it also necessary to renew the lubricant between the specified intervals. Mounting and dismounting of the bearings is to be carried out in accordance with the instructions in this operation manual (see *opening and closing the granulator*).

- ↓ Open the bearing.
- ↓ Remove the bearing casing and the bearing cover.
- ↓ Clean the bearing carefully using petroleum ether.
Petroleum ether, petroleum, spirit, aqueous neutral or alkaline cleaning agents may be used to clean the bearings. After washing out, the bearing must immediately be preserved using lubricant, in order to avoid corrosion.
- ↓ Fill bearing with approved lubricant (see *List of lubricants*).

**PART A: Basic machine
Granulator
E 50 Series**

8.10.4 List of lubricants

Country of manufacture / manufacturer	Roller bearing grease
ARAL	ARAL Grease HL 3
BP	BP ENERGREASE LS 3
CASTROL	CASTROL SPHEEROL AP 3
ESSO	Beacon 3
FUCHS	FUCHS Grease 1200 FUCHS Grease FWA 220
SHELL	SHELL Alvania Grease 3
MOBIL-OIL	MOBILUX 3
WISURA	WISURA Liba L 3
Zeller & Gmelin	ZET GE Grease M 50
FAG	FAG L 71
ANTAR Petroles de l'Atlantique	ROLEXA
Holland, Beverol	Beverol Multi Purpose Grease
Italy, Agip	AGIP Grease 33 FD
Sweden, NYNÄS	Nynäs FI 3-42

PART A: Basic machine

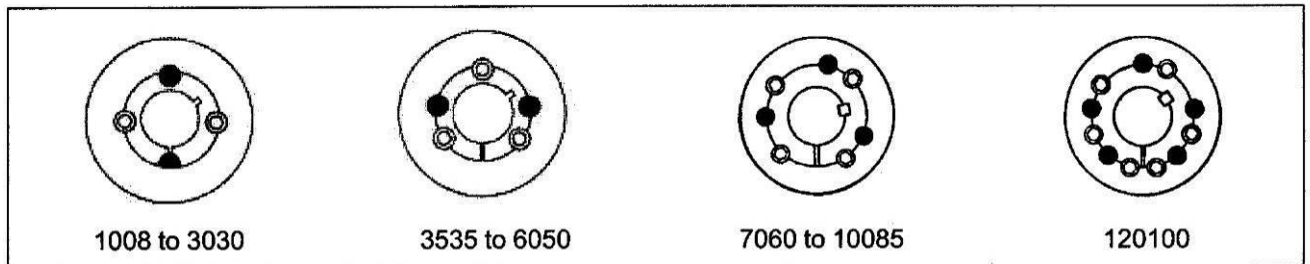
Granulator

E 50 Series


8.11 Mounting and dismounting TAPER-LOCK tensioning element

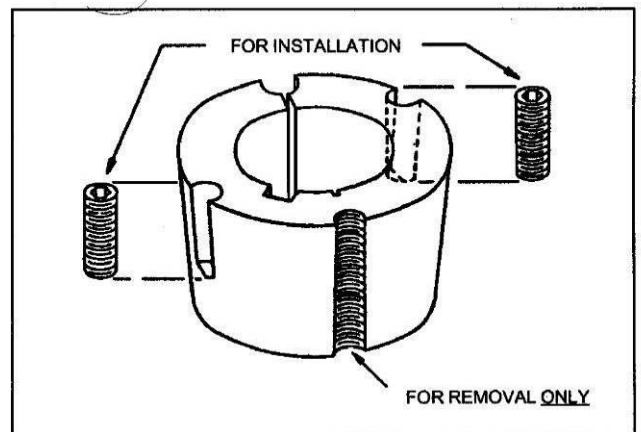
The motor-"V"-belt pulley is attached onto the shaft by means of a TAPER-LOCK tensioning element. The disks must be dismounted for certain maintenance work.

IMPORTANT: Follow all instructions in this manual carefully. This is necessary to insure satisfactory performance.




To Install:

1. Clean shaft, bore, and outside of bushing, and bore of hub (taking bushing from hub if already assembled). Remove any oil, lacquer, or dirt. Place bushing in hub and match half holes to make complete holes (each complete hole will be threaded on one side only).
2. Oil thread and point of set screws or thread and under head of cap screws. Place screws loosely in holes that are threaded on hub side (shown thus  in diagram).
3. Make sure bushing is free in hub. Slip assembly onto shaft and locate in position desired.
4. Tighten screws (see note*) alternately and evenly until all are pulled up very tightly. Use a piece of pipe on wrench to increase leverage. (See table for wrench torque on reverse side.)
5. Hammer against large end of bushing using hammer and block or sleeve to avoid damage. Screws can now be turned a little more using the specified wrench torque. Repeat this alternate hammering and screw re-tightening until the specified wrench torque no longer turns the screws after hammering.
6. After drive has been running under load for a short time stop and check tightness of screws. Fill other holes with grease to exclude dirt.



To Remove:

1. Remove all screws. Oil thread and point of set screws or thread and under head of cap screws.
2. Insert screws in holds that are threaded on bushing side (shown thus  in diagram). In sizes where washers are found under screw heads, be sure to use these washers. Note that one screw in each hub is left over and is not used in this loosening operation.
3. Tighten screws alternately until bushing is loosened in hub. If bushing does not loosen immediately, tap on hub.

8.11.1 Table for the tightening torque of the screws

Tensioning element (Type)	Screws-Tightening torque in Nm	Screw details	
		Number	Size (BSW)
3535	60	3	1/2"
5050	185	3	7/8"

8.11.2 Mounting the TAPER-LOCK tensioning element

Proceed as follows:

- ↓ Remove the protective coating from the bore and outside of bush, and bore of hub. After ensuring that the mating tapered surfaces are completely clean and free from oil or dirt. Insert bush in hub so that holes line up.
- ↓ Sparingly oil thread and point of grub screws, or thread and under head on cap screws. Place screws loosely in holes threaded in hub, shown thus © in.
- ↓ Clean shaft and fit hub to shaft as one unit and locate in position desired, remembering that bush will hip the shaft first and then will be slightly drawn on the bush.
- ↓ Using a hexagon wrench tighten screws gradually and alternately to certain torque.
- ↓ Hammer against large-end of bush, using a block or sleeve to prevent damage. (This will ensure that the bush is seated squarely in the bore). Screws will now turn a little more. Repeat this alternate hammering and screw tightening once or twice to achieve maximum grip on the shaft.
- ↓ If a key is to be fitted place it in the shaft keyway before fitting the bush. It is essential that it is a parallel key and side fitting only and has TOP CLEARANCE.
- ↓ After drive has been running under load for a short time stop and check tightness of screws.
- ↓ Fill empty holes with grease to exclude dirt.

8.11.3 Dismounting the TAPER-LOCK tensioning element

Proceed as follows:

- ↓ Slacken all screws by several turns, remove one or two according to number of jacking off holes shown thus • in the illustration. Insert screws in jacking off holes after oiling thread and point of grub screws or thread and under head of cap screws.
- ↓ Tighten screws alternately until bush is loosened in hub and assembly is free on the shaft.
- ↓ Remove assembly from shaft.

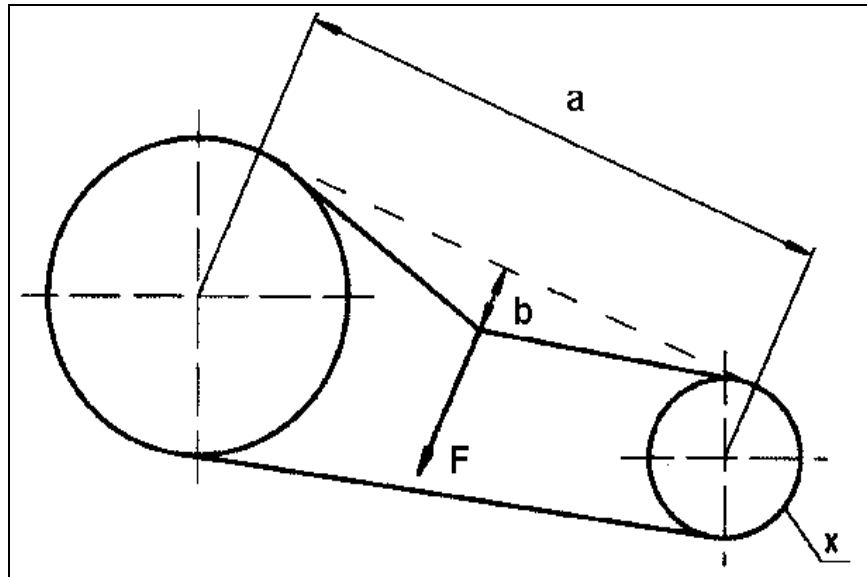
8.12 Work on the "V"-belts

"V"-belts are wearing parts, which stretch and must be retensioned. In order to guarantee a long service life of the "V"-belts, regular checks on the tension force of the "V"-belts and the condition of the "V"-belts are necessary.

8.12.1 Checking the tension force of the "V"-belt

Illustration:

a: Distance between roller centres
b: Sag
F: Force(direction)



- ↓ Remove the "V"-belt cover.
- ↓ Measure the distance between the roller centres.
- ↓ Determine the belt sag force F for each belt at 16 mm sag if sag "b" is equal to 1 m distance between roller centres. Do this by measuring at the middle of the distance between roller centres at a right angle to the "V"-belt.

		Force required for 1 m distance between roller centres and 16 mm sag	
Profile section	Efficiency of x in mm	P in Newton	P in lbs
SPC	224 - 355	60 - 90	13,2 - 19,8
SPC	375 - 560	90 - 120	19,8 - 26,4

- ↓ Compare determined value with the value in the above table. If the value lies below the lowest tolerance limit, the "V"-belt must be retensioned. If the value lies above the highest tolerance limit, the "V"-belt must be relaxed.



8.12.2 Retensioning and relaxing the "V"-belt

Enlarging or decreasing the centre distance "A" into which the drive motor is shifted carries out tensioning or relaxing the "V" - belt.

Proceed as follows:

- ↓ Loosen the tensioning screw.
- ↓ Shift the drive motor as required onto the sliding rails.
- ↓ Lock the drive motor into new position using both tensioning screws in such a way that the motor shaft is parallel to the rotor axis and aligned.
- ↓ Check the tension force of the "V"-belt (see *Checking the tension force of the "V"-belt*).
- ↓ Mount the "V"-belt cover.

8.12.3 Checking "V"-belt condition, replacing "V"-belt

 CAUTION	
	<p>Danger of pulling into machine caused by running "V"-belts. Hair, jewellery etc. can be pulled into the machine. Serious injury can result. Never dismount the "V"-belt cover and window during operation.</p>

- If a "V"-belt is porous or ripped, it must be replaced as follows:
- ↓ Remove the "V"-belt cover.
 - ↓ Loosen the front and rear tensioning screw.
 - ↓ Relax the "V"-belt by shifting the drive motor.
 - ↓ Put new "V"-belt in.
 - ↓ Tension the "V"-belt (see *Retensioning and relaxing the "V"-belts*).
 - ↓ Mount the "V"-belt cover.

8.13 Working on the cutting knives

In the case of granulators, the correct grinding properties, correct setting and mounting of the cutting knives are important factors to ensure perfect functioning and economic operation of the machine.

8.13.1 Replacing and checking the cutting knife mountings

Due to their function, certain machine parts are subject to stress in their operating state as a result of vibrations, which can lead to loosening of the screw connections. Therefore, it is absolutely necessary to check the cutting knife mounting screws in accordance with the *Maintenance plan*.

- ↓ Tighten the mounting screws on the cutting knives using a torque wrench which is set to the required torque for the screw size.

The required torque for the knife fixing bolts is 580 Nm.



You can find out the required torque from the following table. Take note too that the tightening capacity decreases of screws which have been loosened and tightened again several times.

New screws of the same material quality must therefore replace the cutting knife mounting screws after they have been loosened and tightened several times.

Torque:

Bolt type	Grade 8.8		Grade 10.9		Grade 12.9	
	Nm	lbf ft	Nm	lbf ft	Nm	lbf ft
M8	25	18.4	35	25.8	41	30.2
M10	49	36.1	69	50.9	83	61.2
M12	86	63.4	120	88.5	145	106
M16	210	154	295	217	355	261
M20	410	302	580	428	690	508
M24	710	523	1000	737	1200	885

8.13.2 Checking the condition of the cutting knives

 WARNING	
	<p>Danger of cutting caused by sharp knives, even when the rotor is at a standstill. Serious injury, particularly to hands and fingers, can result. Wear protective gloves.</p>


The cutting knives become blunt after a certain number of operation hours. Therefore they should be checked regularly.

Using blunt knives has the following consequences:

- Decreased grinding capacity.
- Increased current consumption of the drive motor.
- Inexact cut.
- Overheating of the ground material.

PART A: Basic machine
Granulator
E 50 Series

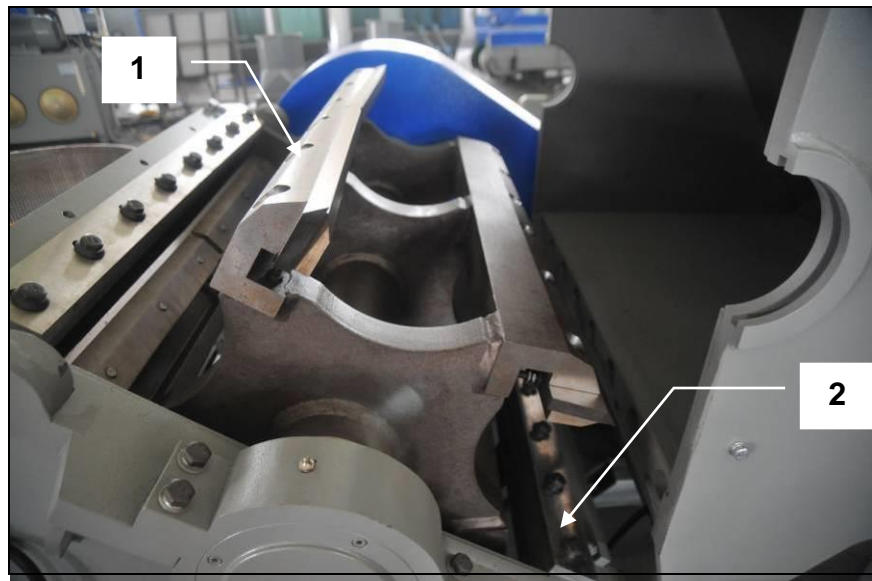
8.13.3 Dismounting the cutting knives

⚠ WARNING	
	Danger of cutting caused by sharp knives, even when the rotor is at a standstill. Serious injury, particularly to hands and fingers, can result. Wear protective gloves.

Proceed as follows:



Illustration:

- (1) Rotor knife
- (2) Knife mounting screws



- ↓ Open the granulator (see *Opening the granulator*).
- ↓ Safeguard the rotor against torsion.
- ↓ Loosen the knife mounting screws.
- ↓ Take out the knife capping and knives.

8.13.4 Mounting the cutting knives

 WARNING	
	<p>Danger of cutting caused by sharp knives, even when the rotor is at a standstill. Serious injury, particularly to hands and fingers, can result. Wear protective gloves.</p>

HINT



The cutting knives, in particular the rotor knives, should only be sharpened or replaced in sets. There is a danger of balance error if a combination of rotor knives from different knife sets is used.

Proceed as follows:

- ↓ Clean the knife supporting surface and threaded holes.
- ↓ Insert sharp and preset knives and push against the setting surface.
- ↓ Put on the knife capping.
- ↓ Screw in the mounting screws and tighten using a torque wrench.

The required torque for all knife mounting bolts is 580Nm (also see the table under *Replacing and checking the cutting knife mountings*).

- ↓ **Check whether the cutting gap is correct and whether the cutting knives do not collide as the rotor turns.**

TIP



Stator knives from VIRTUS have two symmetrical cutting edges.

This makes it possible to turn the knives and only to sharpen after every second knife change.

- ↓ Remove tools and other objects from the grinding chamber.
- ↓ Close the granulator upper section (see *Closing the granulator*).
- ↓ Switch on the granulator for a short time without grinding material and listen for noises. If you hear unusual noises, determine the cause and eliminate it.

8.13.5 Sharpening cutting knives



TIP

Specialist sharpening of the cutting knives is part of the service offer of VIRTUS.

WARNING



Danger of cutting caused by sharp knives, even when the rotor is at a standstill.
Serious injury, particularly to hands and fingers, can result.
Wear protective gloves.

HINT



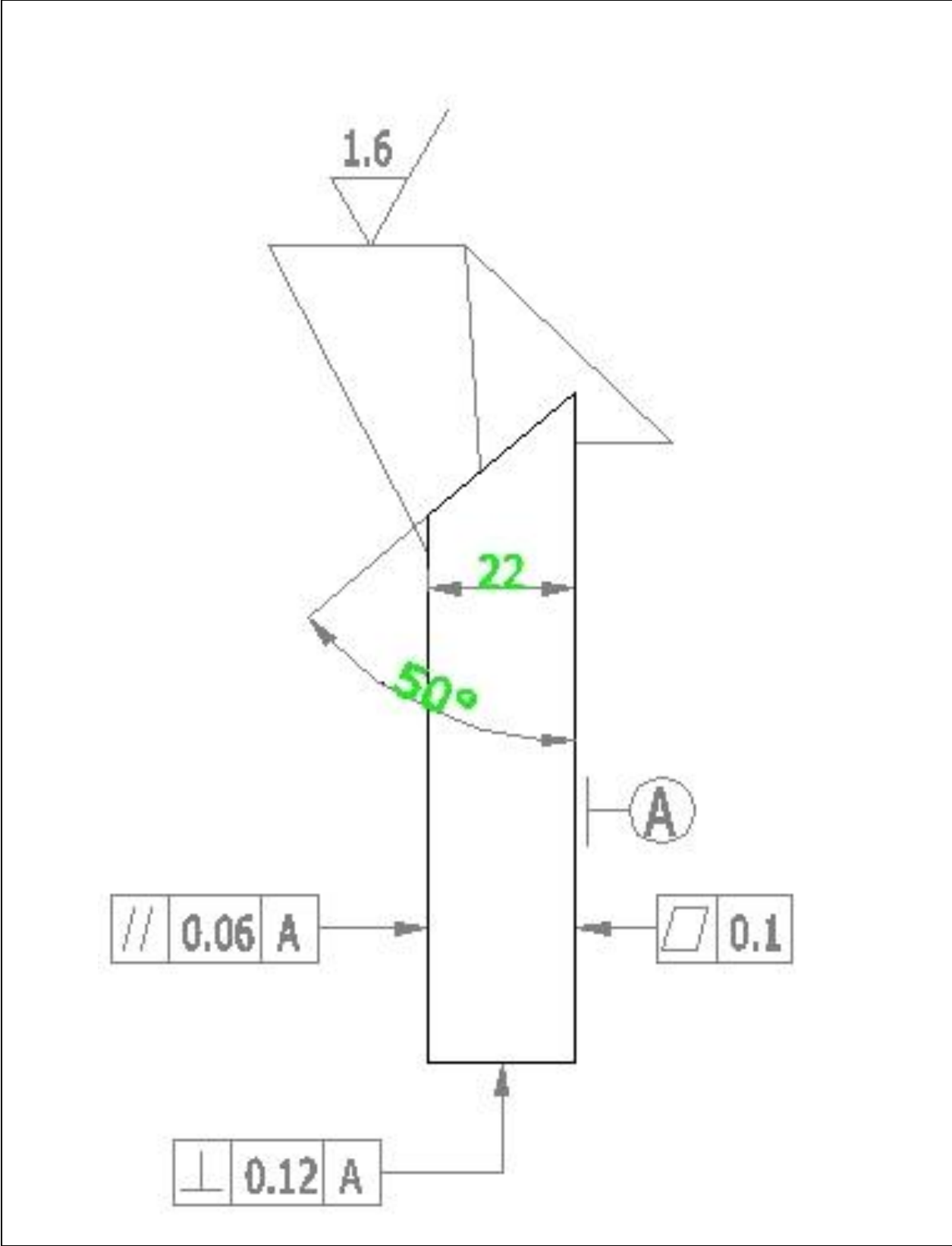
The cutting knives, in particular the rotor knives, should only be sharpened or replaced in sets. There is a danger of balance error if a combination of rotor knives from different knife sets is used.

Proceed as follows:

- ↓ Dismount the cutting knives (see *Dismounting the cutting knives*).
- ↓ Sharpen the cutting knives.
A specialist in accordance with the sharpening plan using particular care should uniformly sharpen the cutting knives mechanically. It is important to make sure that sharpening takes place with small grinding allowance and sufficient coolant supply. The sharpening process is finished when the cutting edge is sharply cut. Not all indentations must be ground out; otherwise the number of possibilities for sharpening is unnecessarily reduced. For the sharpening process, use soft grinding wheels (Quality 40 H or 46 K). Knives, which have grinding cracks, are not to be reused due to danger of breakage during operation.
- ↓ Whet the cutting edges of the cutting knives using a whetstone.
By taking these measures, the service life of the cutting knives can be increased.
- ↓ Set the cutting knives (see *mounting the cutting knives*).
- ↓ Mount the cutting knives (see *mounting the cutting knives*).

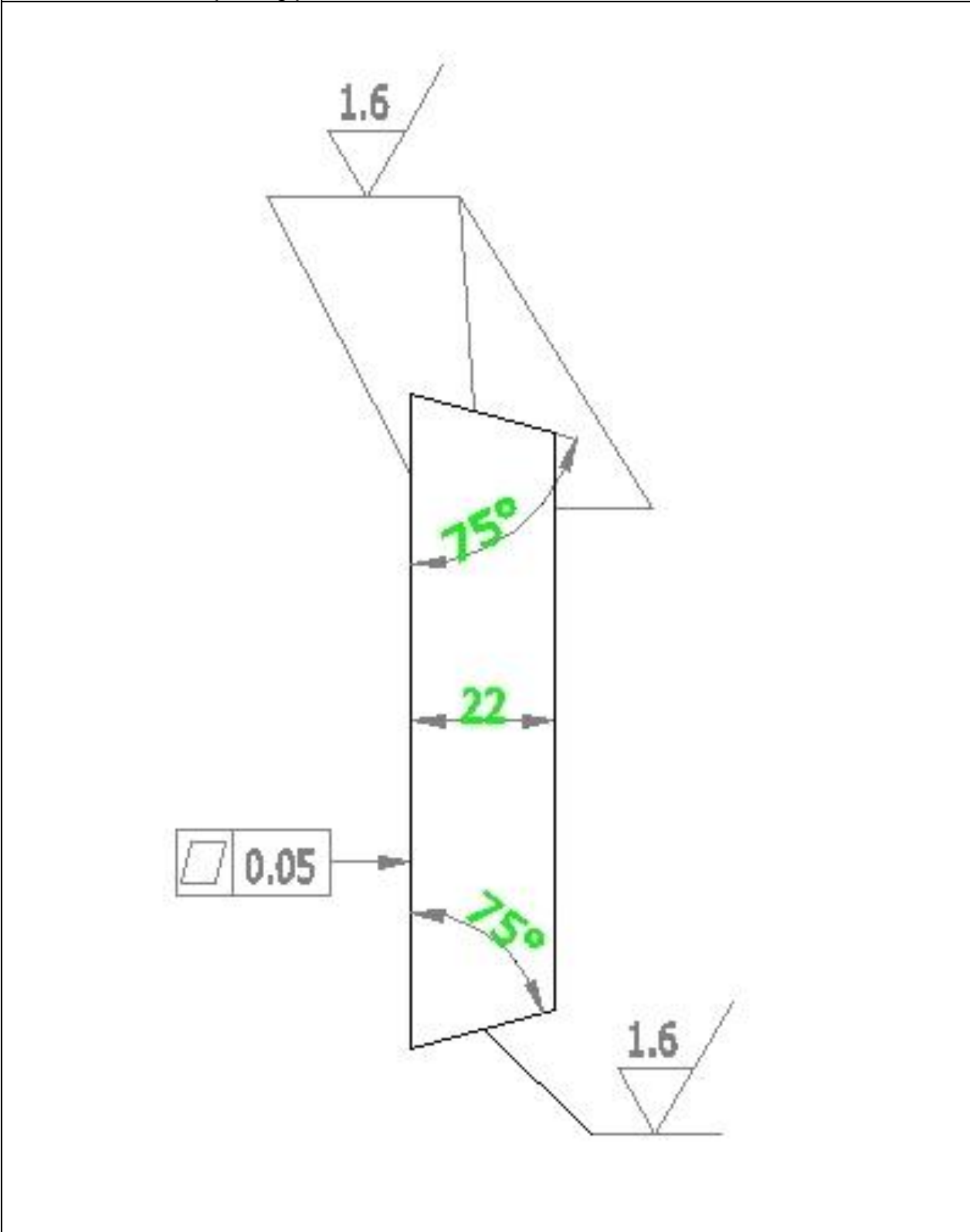
**PART A: Basic machine
Granulator
E 50 Series**

Illustration: *Resharpener plan rotor knife*





PART A: Basic machine
Granulator
E 50 Series

Illustration: *Resharpener plan stator knife*



8.13.6 Setting the cutting knives

 WARNING	
	<p>Danger of cutting caused by sharp cutting knives. Serious injury, in particular to hands and fingers, can result. Wear protective gloves.</p>

To simplify knife setting and shorten standstill periods when replacing the knives, a knife setting device is delivered together with rotors with adjustable knives.

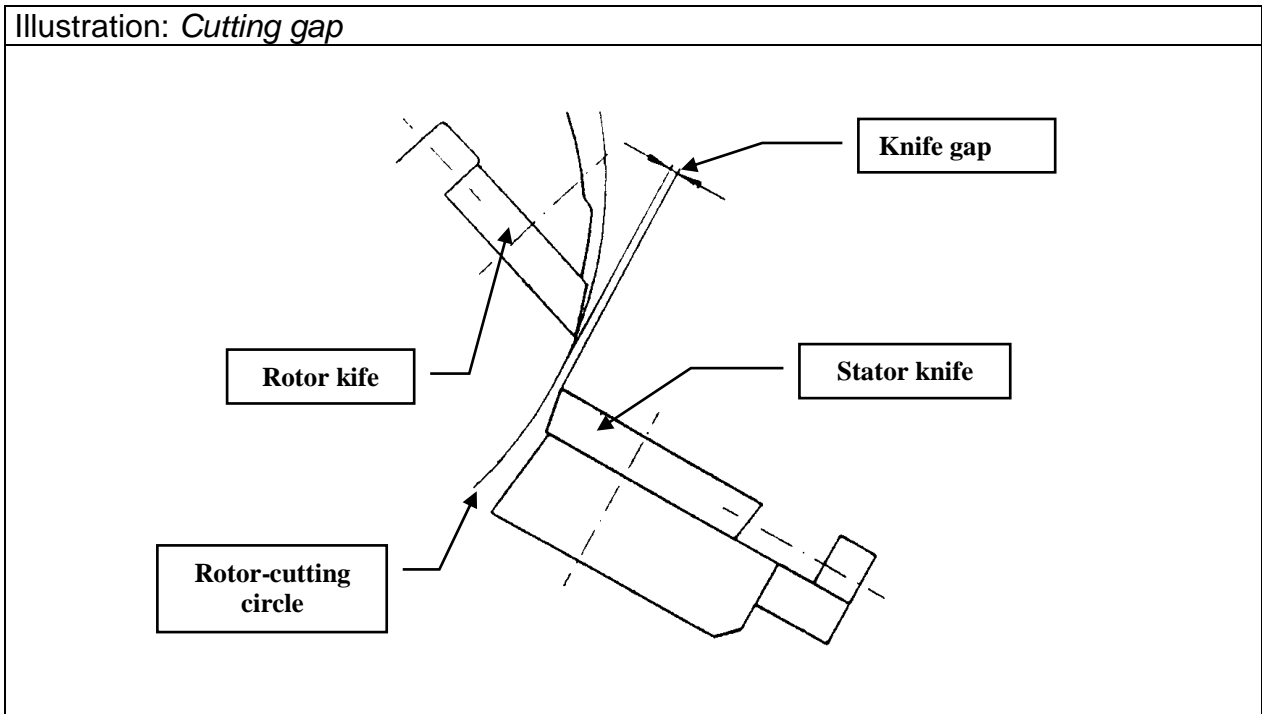
Knife setting can be carried out easily outside the machine using this setting device. If you have several knife sets, you will also avoid standstill periods of the machine.

Correct and careful setting of the gap between the rotor knives and the bed knives (cutting gap) is an important requirement for the productive capacity of the granulator.

Factors for the size of the knife gap are the size of the rotor, the design of the rotor and the material to be ground.

The cutting gap is set using the knife gap of the rotor knives in the knife-setting device.

Illustration: *Cutting gap*



PART A: Basic machine

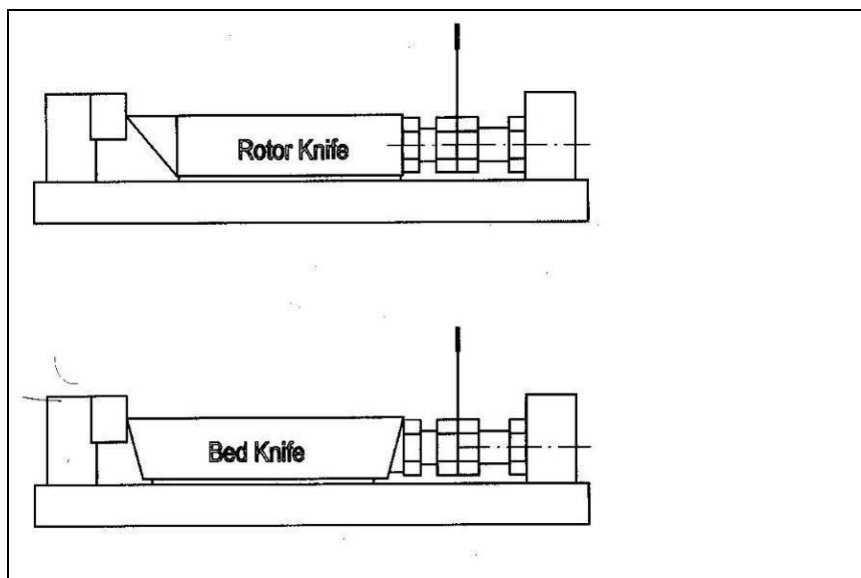
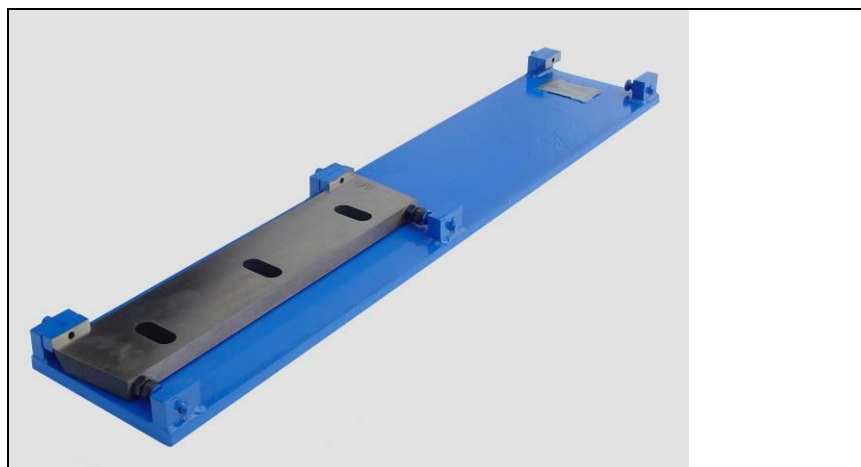
Granulator

E 50 Series

For setting the rotor knives, proceed as follows:

Illustration:

Knife setting device



- ↓ Insert the knives into the knife setting device as shown.
- ↓ Select the guide calibre appropriate for the size of the knife gap from the delivered guide calibre set.
The guide calibres are marked with numbers, which when divided by 100, give the thickness in mm.

Further procedure for each setting screw:

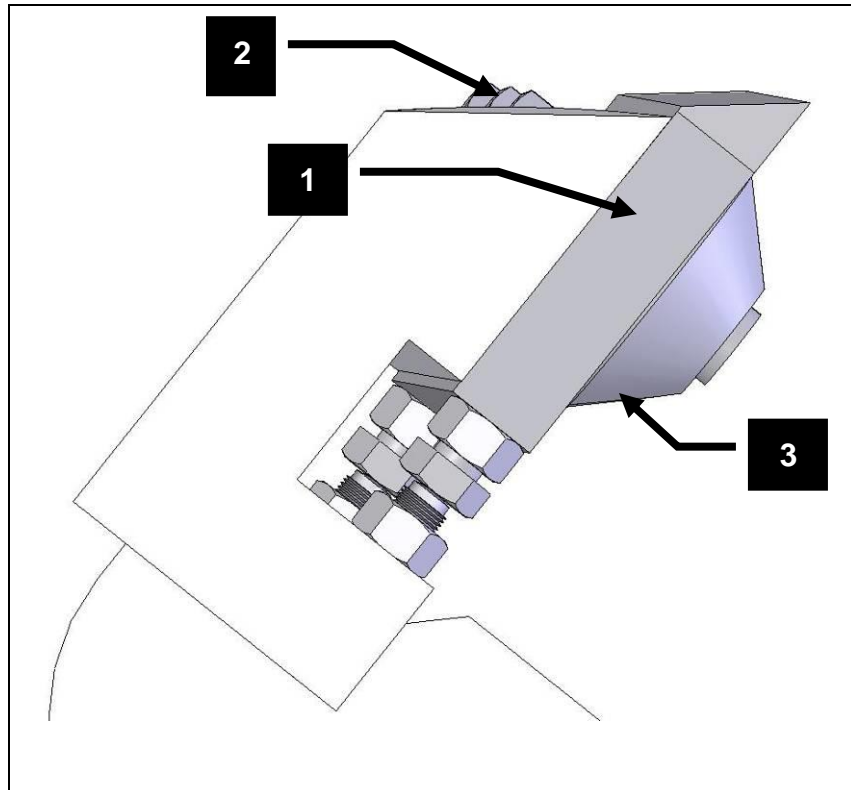
- ↓ Push the guide calibre between the stopper of the knife setting device and the setting screw of the cutting knife.
Doing this, the knife edge must lie against the stopper.
- ↓ Unscrew the setting screw of the knife so far that the feeler gage is gently squeezed.
- ↓ Tighten the counter nut.
- ↓ Set all the setting screws as described.
Check the knife gap at the end of setting and correct if required.

PART A: Basic machine
Granulator
E 50 Series

Recommended knife gap: 0,3mm

Illustration:



- (1) Rotor knife
- (2) Knife fixing bolt
- (3) Cover discs




HINT

In operating state, the granulator heats up and expands unevenly. Therefore, if the knife gap is too small this can lead to machine damage caused by the knives colliding.

8.13.7 Transporting and storing the cutting knives

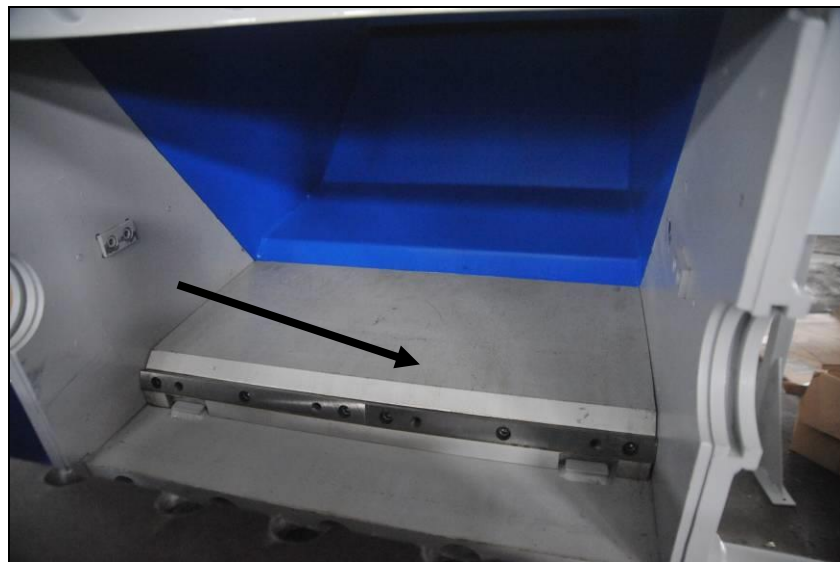
 WARNING	
	<p>Danger of cutting caused by sharp cutting knives. Serious injury, in particular to hands and fingers, can result. Only transport and store the cutting knives packaged. Grease the cutting knives well, so that they do not rust. Protect the cutting edges with doubled cardboard and use adhesive tape to safeguard the knives against slipping out of the sides of the sheath.</p> <p>After unpacking, you must degrease the cutting knives so that they can be gripped safely.</p>

8.14 Deflection wedge removal

⚠ WARNING	
	Danger of cutting caused by sharp knives. Serious injury, particularly to hands and fingers, can result. Wear protective gloves.

The deflection wedge and the block knives ensure that larger pieces of grinding material e.g. lumps, foil rolls etc. can be ground and do not cause blockage of the rotor.

Illustration:
Deflection wedge





The deflection wedge, mounted in the upper section of the housing is a removable part.

For bulky items like drums, barrels or blow moulding parts the deflection wedge can be removed as follows:

- ↓ Switch off the granulator at the main switch
- ↓ Safeguard main switch using a padlock.
- ↓ Remove the hopper from the machine housing
- ↓ Screw Eye bolts in the deflection wedge
- ↓ Fix lifting equipment so that the wedge cannot fall down after removing the fixing bolts
- ↓ Remove the fixing bolts from the deflection wedge on the backside of the upper machine section
- ↓ Take out the deflection wedge

PART A: Basic machine
Granulator
E 50 Series

 WARNING	
	Ensure that the deflection wedge cannot fall onto the rotor shaft while removing the fixing bolts.

For operation without the deflection wedge place the cover plate into the unit and screw in bolts from the rear.
The cover plate prevents both damage to the rear surface of the housing and material leaving the granulator through bolt holes. The cover plate is only supplied with the unit if the granulator is intended for operation without the deflection wedge.

9 TROUBLESHOOTING

9.1 Machine blocks or switches itself off

No.	Possible causes	Remedy required
9.1.1	Too much feed material.	Reduce grinding material in feed.
9.1.2	Screen blocked.	Clean screen, check condition, if necessary select larger screen perforation.
9.1.3	"V"-belts slip.	Check "V"-belt tension and condition and retighten if necessary or replace.
9.1.4	Knife condition.	Check knives and sharpen or replace if needed.
9.1.5	Cutting gap.	Check cutting gap and set according to the instructions in this operation manual.
9.1.6	Suction trough blocked.	Change in rotational direction of blower needed. Replace fan blades if necessary. Open the air regulating flap on the suction trough as far as necessary. Check discharge air flow from cyclone for blockages.
9.1.7	Current failure.	Check limit switch for defective contact. Check electrical connection, if necessary tighten limit switch.
9.1.8	Fuse too small.	Fit larger fuse. Only after consulting the service department of VIRTUS.
9.1.9	Frequent peak loads.	Install disk flywheel.
9.1.10	Rotational direction of rotor.	Check motor and reverse polarity if necessary.
9.1.11	Rotor speed.	Change rotor speed. Only after consulting the service department of VIRTUS.
9.1.12	Bed knives mounted mirror inverted.	Knife tip must protrude in direction of rotation.

9.2 Rotor does not grip bulky material

No.	Possible causes	Remedy required
9.2.1	Knife condition.	Check and sharpen if needed according to the instructions in this operation manual.
9.2.2	Protruding bed knife.	Chamfer bed knives; consult with service department of VIRTUS.

9.3 Overheating of the grinding material

No.	Possible causes	Remedy required
9.3.1	See 9.1.1 to 9.1.5. See 9.1.11 and 9.1.12.	See 9.1.1 to 9.1.5. See 9.1.11 and 9.1.12.
9.3.2	Screen perforation too small.	Insert a screen with larger perforation.
9.3.3	Knives wrongly sharpened.	Modify knife finish. Only after consulting the service department of VIRTUS.
9.3.4	Suction air.	Close air-regulating flap on suction trough step by step.
9.3.5	Material rubs against the housing wall.	Fit anti-winding device.
9.3.6	Insufficient cooling.	Fit water-spraying device, increase air intake (larger suction fan).
9.3.7	Suction fan rotates in wrong direction.	Check connection, if required reverse polarity.

**PART A: Basic machine
Granulator
E 50 Series**

9.4 Unusual vibrations

No.	Possible causes	Remedy required
9.4.1	Rotor out of balance.	Weigh knives, balance rotor.
9.4.2	Bearing damage.	Check bearings, replace bearings if necessary.
9.4.3	Mounting pads defective (vibration elements).	Check mounting pads and renew these if necessary.

9.5 Extreme cutter wear

No.	Possible causes	Remedy required
9.5.1	Bearing damage.	Check bearings, replace bearings if necessary.
9.5.2	Knife finish.	Check knife and sharpen or replace if necessary.
9.5.3	Wrong cutting angle.	Modify cutting angle after consulting VIRTUS service department.
9.5.4	Wrong cutting angle.	Check cutting gap and set according to the instructions in this operation manual.
9.5.5	Foreign matter.	Fit feed device with a metal detector.

9.6 Bearings too hot

No.	Possible causes	Remedy required
9.6.1	Too much grease in bearing.	Reduce amount of grease.
9.6.2	"V"-belts too tight.	Reduce tension.
9.6.3	Rubbing on housing sealing ring.	Check sealing ring, oil or replace.
9.6.4	Bearing damage.	Check bearings, replace if necessary.
9.6.5	No grease in bearing.	Lubricate bearing.

9.7 Too many fines in grinding material

No.	Possible causes	Remedy required
9.7.1	Type of material.	Fit fines separator under cyclone.
9.7.2	Screen worn.	Renew screen, possibly using manganese steel.
9.7.3	Unsuitable screen perforation.	Replace screen after consulting VIRTUS service department.
9.7.4	Suction unit too weak.	Change rotor speed. Only after consulting the service department of VIRTUS.

9.8 Cutting gap alters during operation

No.	Possible causes	Remedy required
9.8.1	Knife mounting screws not tight.	Retighten using torque wrench in accordance with table in operation manual.
9.8.2	Screw fatigue.	Fit new screws.
9.8.3	Cover disks or plate deformed.	Insert new cover disks or plate.
9.8.4	Supporting surfaces not clean.	Clean and de-rust supporting surfaces.
9.8.5	Threads in housing worn.	Fit new bushes in housing.

PART A: Basic machine

Granulator

E 50 Series

9.9 Screen damage

No.	Possible causes	Remedy required
9.9.1	Screen inserted wrongly.	Fit screen correctly.
9.9.2	Screen support buckled.	Replace screen support.

9.10 Granulator does not start

No.	Possible causes	Remedy required
9.10.1	Limit switches not activated.	Check position of limit switch and correct.
9.10.2	Main and control fuses.	Replace fuse.
9.10.3	Feed device not connected.	Switch on in sequence.
9.10.4	Residue material in granulator.	Empty granulator before switching on.
9.10.5	Star delta connection.	Correct wiring on motor.
9.10.6	Motor protection switches off.	Check motor relay for correct setting and increase if necessary.
9.10.7	Star delta time relay.	Correct time.

9.11 Granulator blocks when under load

No.	Possible causes	Remedy required
9.11.1	Feed starts too early.	Start feed only after switch over from star to delta.
9.11.2	Limit switch loose or wrongly set.	Reposition and tighten limit switch.
9.11.3	Fuse defective.	Replace fuse. Fit larger fuse. Only after consulting the service department of VIRTUS GmbH.
9.11.4	Motor fuse switches off - red indicator.	Reduce feed quantity of the grinding material, correct setting, replace fuse.

9.12 Frequent switching off of grinding material in feed device

No.	Possible causes	Remedy required
9.12.1	Current relay switches off.	Correct setting.

10 STORAGE, DISPOSAL, TRANSPORTATION

10.1 Storage



Clean the machine (see *Replacing the screen*). Preserve all polished metal surfaces using a suitable rust preventing agent. Store the machine in an enclosed, dry place. Cover the machine completely with a plastic sheet.


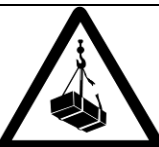

10.2 Disposal



Protect the environment.

The disposal of machines, machine components and process materials is partially subject to legal controls. More detailed information is given at the relevant administrative authority (e.g. regional and national Water Conservation Bureaux and Environmental Protection Agencies). Only deposit the material to be disposed of at authorized drop-off points.

10.3 Transportation

 WARNING	
	<p>Suspended load. Falling loads can cause serious injury or death. Only use a crane or forklift truck, which is suitable for the weight and dimensions of the loads.</p>
	<p>Also use suitable stopping means and pay attention to the gravity centre location. Do not step under the suspended load. Wear a protective helmet in addition to your basic protective gear.</p>

11 HYDRAULIC MAINTENANCE

Before start-up of the machine, hydraulic oil has to be filled into the tank.

The type of oil which should be used depends on your location. We recommend oil of the type DIN 51524 HLP 32 for areas with temperatures below 0°C in the winter and HLP 46 for temperatures of around 30°C in the summer. For extremely hot tropical areas e. g. Thailand, Malaysia, Nigeria etc. we recommend to use HLP 68.

The first oil replacement should be done after one year and than every year one time. The oil filter has to be replaced too.



HINT

If the oil will not be replaced after this time damage to the hydraulic system can occur, due to overheating of the oil and dirt in the oil. This can lead to a complete standstill of the machine.

When adding hydraulic oil, attention must be paid that the same type of oil is used. If the same type of oil is not available, or if the type used is unknown, the oil in the tank and in the complete hydraulic system has to be removed and the complete system flushed carefully. The system may only be filled with new oil after this has been done. This is necessary to prevent gumming of the valves.

**PART A: Basic machine
Granulator
E 50 Series**

Hydraulic liquid recommendation:

Designation to DIN 51 524	HLP 32
Ambient temperature:	-7 to +70°C
Supplier	Name of the oil
ARAL	Aral Vitam GF 32 Aral Vitam HF 32
BP	BP Energol HLP-D 32 BP Energol HLP 32 BP Energol SHF 32
ELF	Elfolna 32 Hydrelf 32
ESSO	Nuto H 32 HLPD-Oel 32
FINA	Fina Hydran 32
FUCHS	Renolin MR 10 Renolin B 10
MOBIL	Mobil DTE 24 Mobil DTE 17 Drucköl HLP 32 - C Hydrauliköl HLPD 32
TEXACO	Rando Oil HD A - 32 Rando Oil HD AZ - 32 Alcor Oil DD 32

12 CUSTOMER SERVICE AND SPARE PARTS ORDERS



Should problems occur during operation of the machine or if you have general questions about the machine which this operation manual cannot answer, please do not hesitate to contact us. We would be pleased to help you further in order to solve your problem as quickly as possible.

You can identify the spare parts you require using the spare parts list. Please quote the following information when making your order so that we can deliver the spare parts to you quickly:

- Company name and address.
- Contact person.
- Machine type.
- Machine number.
- Piece number of the spare part.
- Spare part reference.
- Subject number.
- Order quantity.

VIRTUS

311 ERA DRIVE
NORTHBROOK IL 60062
USA

Tel: 1-847-291-1800

E-Mail: sales@VIRTUS-EQUIPMENT.com
Internet: <http://www.VIRTUS-EQUIPMENT.com>



TIP

The easiest way to order your spare parts is to copy the spare parts list and to fill in the order amount after the respective spare part.

**PART A: Basic machine
Granulator
E 50 Series**

13 SPARE PARTS LIST

13.1 E 50/50

Pos.	Pc	Description/Standard	Partnumber/SAP	Order
100		Machine complete	GSE500-500/10000094	
101	1	Standard hopper	GSE55-011-00A/23164900	
102	1	PVC-curtain 1	GSE55-011-02/23165300	
103	1	Cover plate for curtain	GSE55-011-01/23165200	
104	1	PVC-curtain 2	GSE55-011-03/23165400	
105	1	Cover plate for curtain	GSE55-011-01/23165200	
108	1	Housing upper section	GSC55-021-00A/23171300	
109	1	Wearing plate upper section	GSC510-021-01L/23266700	
109	1	Wearing plate upper section	GSC510-021-01R/23266800	
110	1	Housing lower section	GSC55-031-00A/23171400	
111	2	Wearing plate lower section	GSC510-031-01/23268100	
112	1	Door	GSC55-031-04-00/23167900	
113	1	Base frame	GSC55-061-00A/23166550	
114	1	Suction trough	GSC55-051-00/23166500	
115	8	Anti vibration pad JSD1000	80012740	
116	3	Connecting bolts upper section-lower section DIN 933 M20x100 8.8	80010240	
200		Screen complete		
201	1	Screen support	GSC55-031-02-00/23167600	
202	2	Screen support spindle	GSH6080-021-02-08-00/ 20007800	
204	1	Screen Ø6	23167800	
		Screen Ø8	23167810	
		Screen Ø10	23167820	
		Screen Ø12	23167830	
		Screen Ø15	23167840	
		Screen Ø20	23167850	
		Screen Ø25	23167860	
300	2	Bearing		
301	2	Bearing housing	GSC5070-0500101/ 23155300	
302	2	Bearing 22218/W33	80040270	
303	3	Bearing Cover A	GSC5070-0500103/ 23155400	
304	1	Bearing Cover B	GSC5070-0500201/ 23155600	
305	3	Sealing GB9877.1 100x125x12	80040230	
306	16	Bolt DIN912 - M8x20 - 8.8	80011070	
307	2	Grease nipple	80012490	
400		Drive		
401	1	Motor 30kw 4B3 left		
		Motor 37kw 4B3 left		

PART A: Basic machine

Granulator

E 50 Series

		Motor 45kw 4B3 left		
402	1	Rotor pulley SPB560-4	80002040	
403	1	Rotor pulley taper bush TB 3535-80	80002310	
404	4	V-Belt XPB3000	80040731	
405	1	Motor pulley SPB200-4	80002030	50hz
405	1	Motor pulley SPB180-4	80040324	60hz
406	1	Motor pulley taper bush TB 3020-55	80002430	50hz
		Motor pulley taper bush TB 2517-55	80002491	60hz
		Motor pulley taper bush TB 3020-60	80002420	50hz
		Motor pulley taper bush TB 2517-60	80040348	60hz
407	1	Shaft cover	GSC5050-0100003C/ 23162010	
408	1	Rotor key GB1096-79 A22x70	80040336	
409	1	Shaft disk	GSC5050-0100003D/ 23162020	
410	2	Sleeve	GSC5050-0100001/ 23154200	
411	1	Sleeve for bearing	GSC5050-0100017/ 23154700	
412	1	Bolt DIN933 - M16x45 – 8.8	80009940	
413	1	Washer DIN125-A	80010750	
414	1	Spring washer DIN127-B	80010870	
415	1	Bolt DIN7991 - M16x40 – 8.8	80011670	
416	1	Bearing cover	GSC5050-0100016/ 23154800	
417	2	Motor base frame	GSC57-061-02-00A/ 23215500	
418	6	Bolt DIN933M10x120 8.8	80040673	
419	6	Spring washer DIN127-B 10	80010850	
420	6	Washer DIN125-A 10.5	80010730	
500		S-3 rotor		
501	6	Rotor knife 250x90x22(big hole)	80000960	
502	12	Fixing Bolt DIN933M20x60 12.9	80010140	
503	12	Washer DIN433 21-300HV-ST	80010780	
504	12	Adjusting bolt M12x40 - flat head - 10.9	20031600	
505	24	Nut DIN934 – M12 – 10	80010470	
506	12	Adjusting bolt M12x40 - ball head - 10.9	23062110	
507	18	Rotor knife cover plate	80051479	
508	18	Pin ISO8752 – 5 x 30	80010540	
500		S-5 rotor		
501	10	Rotor knife 250x90x22(big hole)	80000960	
502	20	Fixing Bolt DIN933M20x60 12.9	80010140	
503	20	Washer DIN433 21-300HV-ST	80010780	
504	20	Adjusting bolt M12x40 - flat head - 10.9	20031600	
505	40	Nut DIN934 – M12 – 10	80010470	
506	20	Adjusting bolt M12x40 - ball head - 10.9	23062110	
507	30	Rotor knife cover plate	80051479	
508	30	Pin ISO8752 – 5 x 30	80010540	

PART A: Basic machine
Granulator
E 50 Series

600		Stator knife		
601	2	Stator knife 526x100x22	80001100	
602	8	Fixing Bolt DIN933 - M16x60 – 12.9	80010010	
603	8	Step washer Ø36x17x8	80012930	
604	4	Adjusting bolt M12x40 - flat head - 10.9	20031600	
605	4	Nut DIN934 – M12 – 10	80010470	
606	4	Wedge Washer	80012950	
607	4	Adjusting bolt M10x30 - ball head - 10.9	20267900	
700		Deflection wedge		
701	2	Block knife 257x30x30	80051296	
702	6	Fixing bolt (Block knife) DIN912M10x30 12.9	80011150	
703	8	Fixing bolt DIN912M16x50 12.9	80011291	
704	4	Washer ϕ 40X ϕ 17X6/HRC45	80040725	
705	4	Washer ϕ 24X ϕ 17X2	80040720	
706	1	Replacement plate	23166900	
707	8	Bolts for replacement plate	80009930	
900		Electrical parts		
901	2	Safety switch ZS336-11Z		
902	1	Safety switch AZ15zvrk-1476-1		
903	1	Control panel		

PART A: Basic machine
Granulator
E 50 Series

13.2 E 50/70

Pos.	Pc	Description/Standard	Partnumber/SAP	Order
100		Machine complete	GSE500-700/10000104	
101	1	Standard hopper	GSE57-011-00A/23216400	
102	1	PVC-curtain 1	GSE57-011-02/23216800	
103	1	Cover plate for curtain	GSE57-011-01/23216700	
104	1	PVC-curtain 2	GSE57-011-03/23216900	
105	1	Cover plate for curtain	GSE57-011-01/23216700	
108	1	Housing upper section	GSC57-021-00A/ 23216400	
109	1	Wearing plate upper section	GSC510-021-01L/23266700	
109	1	Wearing plate upper section	GSC510-021-01R/23266800	
110	1	Housing lower section	GSC57-031-00A/ 23212500	
111	2	Wearing plate lower section	GSC510-031-01/23268100	
112	1	Door	GSC57-031-04-00/ 23214900	
113	1	Base frame	GSC57-061-00A/ 23213100	
114	1	Suction trough	GSC57-051-00/ 23216200	
115	8	Anti vibration pad JSD1000	80012740	
116	4	Connecting bolts upper section-lower section DIN 933 M20x100 8.8	80010240	
200		Screen complete		
201	1	Screen support	GSC57-031-02-00/ 23214600	
202	2	Screen support spindle	GSH6080-021-02-08-00/ 20007800	
204	1	Screen Ø6	23214800	
		Screen Ø8	23214810	
		Screen Ø10	23214820	
		Screen Ø12	23214830	
		Screen Ø15	23214840	
		Screen Ø20	23214850	
		Screen Ø25	23214860	
300	2	Bearing		
301	2	Bearing housing	GSC5070-0500101/ 23155300	
302	2	Bearing 22218/W33	80040270	
303	3	Bearing Cover A	GSC5070-0500103/ 23155400	
304	1	Bearing Cover B	GSC5070-0500201/ 23155600	
305	3	Sealing GB9877.1 100x125x12	80040230	
306	16	Bolt DIN912 - M8x20 - 8.8	80011070	
307	2	Grease nipple	80012490	
400		Drive		
401	1	Motor 30kw 4B3 left		
		Motor 37kw 4B3 left		
		Motor 45kw 4B3 left		
402	1	Rotor pulley SPB560-4	80002040	

PART A: Basic machine

Granulator

E 50 Series

403	1	Rotor pulley taper bush TB 3535-80	80002310	
404	4	V-Belt XPB3000	80040731	
405	1	Motor pulley SPB200-4	80002030	50hz
405	1	Motor pulley SPB180-4	80040324	60hz
406	1	Motor pulley taper bush TB 3020-55	80002430	50hz
		Motor pulley taper bush TB 2517-55	80002491	60hz
		Motor pulley taper bush TB 3020-60	80002420	50hz
		Motor pulley taper bush TB 2517-60	80040348	60hz
407	1	Shaft cover	GSC5050-0100003C/ 23162010	
408	1	Rotor key GB1096-79 A22x70	80040336	
409	1	Shaft disk	GSC5050-0100003D/ 23162020	
410	2	Sleeve	GSC5050-0100001/ 23154200	
411	1	Sleeve for bearing	GSC5050-0100017/ 23154700	
412	1	Bolt DIN933 - M16x45 – 8.8	80009940	
413	1	Washer DIN125-A	80010750	
414	1	Spring washer DIN127-B	80010870	
415	1	Bolt DIN7991 - M16x40 – 8.8	80011670	
416	1	Bearing cover	GSC5050-0100016/ 23154800	
417	2	Motor base frame	GSC57-061-02-00A/ 23215500	
418	6	Bolt DIN933M10x120 8.8	80040673	
419	6	Spring washer DIN127-B 10	80010850	
420	6	Washer DIN125-A 10.5	80010730	
500		S-3 rotor		
501	6	Rotor knife 350x100x22	80000930	
502	18	Fixing Bolt DIN933M20x60 12.9	80010140	
503	18	Washer DIN433 21-300HV-ST	80010780	
504	12	Adjusting bolt M12x40 - flat head - 10.9	20031600	
505	24	Nut DIN934 – M12 – 10	80010470	
506	12	Adjusting bolt M12x40 - ball head - 10.9	23062110	
507	18	Rotor knife cover plate	80051479	
508	18	Pin ISO8752 – 5 x 30	80010540	
500		S-5 rotor		
501	10	Rotor knife 350x100x22	80000930	
502	30	Fixing Bolt DIN933M20x60 12.9	80010140	
503	30	Washer DIN433 21-300HV-ST	80010780	
504	20	Adjusting bolt M12x40 - flat head - 10.9	20031600	
505	40	Nut DIN934 – M12 – 10	80010470	
506	20	Adjusting bolt M12x40 - ball head - 10.9	23062110	
507	30	Rotor knife cover plate	80051479	
508	30	Pin ISO8752 – 5 x 30	80010540	
600		Stator knife		
601	2	Stator knife 726x100x22	80001080	

PART A: Basic machine

Granulator

E 50 Series

602	10	Fixing Bolt DIN933 – M20x60 – 12.9	80010140	
603	10	Step washer Φ 40x20.5x8	80012940	
604	4	Adjusting bolt M12x40 - flat head - 10.9	20031600	
605	4	Nut DIN934 – M12 – 10	80010470	
606	4	Wedge Washer	80012950	
607	4	Adjusting bolt M10x30 - ball head - 10.9	20267900	
700		Deflection wedge		
701	2	Block knife 357x30x30	80001350	
702	6	Fixing bolt (Block knife) DIN912M10x30 12.9	80011150	
703	10	Fixing bolt DIN912M16x50 12.9	80011291	
704	4	Washer Φ 40X ϕ 17X6/HRC45	80040725	
705	6	Washer ϕ 24X ϕ 17X2	80040720	
706	1	Replacement plate	23213800	
707	10	Bolts for replacement plate	80009930	
900		Electrical parts		
901	2	Safety switch ZS336-11Z		
902	1	Safety switch AZ15zvrk-1476-1		
903	1	Control panel		

PART A: Basic machine
Granulator
E 50 Series

13.3 E 50/100

Pos.	Pc	Description/Standard	Partnumber/SAP	Order
100		Machine complete	GSE500-1000/10000114	
101	1	Standard hopper	GSE510-011-00A/23270100	
102	1	PVC-curtain 1	GSE510-011-02/23271500	
103	1	Cover plate for curtain	GSE510-011-01/23271400	
104	1	PVC-curtain 2	GSE510-011-03/23271600	
105	1	Cover plate for curtain	GSE510-011-01/23271400	
108	1	Housing upper section	GSC510-021-00A/ 23266200	
109	1	Wearing plate upper section	GSC510-021-01L/23266700	
109	1	Wearing plate upper section	GSC510-021-01R/23266800	
110	1	Housing lower section	GSC510-031-00A/ 23267400	
111	2	Wearing plate lower section	GSC510-031-01/23268100	
112	1	Door	GSC50100-0102300/ 23261640	
113	1	Base frame	GSC510-061-00A/ 23269100	
114	1	Suction trough	GSC510-051-00/ 23267800	
115	8	Anti vibration pad JSD1000	80012740	
116	5	Connecting bolts upper section-lower section DIN 933 M20x100 8.8	80010240	
200		Screen complete		
201	1	Screen support	GSC510-031-02-00/ 23268300	
202	3	Screen support spindle	GSH6080-021-02-08-00/ 20007800	
204	1	Screen Ø6	23268400	
		Screen Ø8	23268410	
		Screen Ø10	23268420	
		Screen Ø12	23268430	
		Screen Ø15	23268440	
		Screen Ø20	23268450	
		Screen Ø25	23268460	
300	2	Bearing		
301	2	Bearing housing	GSC5070-0500101/ 23155300	
302	2	Bearing 22218/W33	80040270	
303	3	Bearing Cover A	GSC5070-0500103/ 23155400	
304	1	Bearing Cover B	GSC5070-0500201/ 23155600	
305	3	Sealing GB9877.1 100x125x12	80040230	
306	16	Bolt DIN912 - M8x20 - 8.8	80011070	
307	2	Grease nipple	80012490	
400		Drive		
401	1	Motor 45kw 4B3 left		
		Motor 55kw 4B3 left		
		Motor 75kw 4B3 left		

PART A: Basic machine

Granulator

E 50 Series

402	1	Rotor pulley SPC630-5	80001960	
403	1	Rotor pulley taper bush TB 5050-90	80002240	
404	5	V-Belt SPC3350	80002600	
405	1	Motor pulley SPC200-5	80040325	
406	1	Motor pulley taper bush TB 3535-60	80002350	45kw
		Motor pulley taper bush TB 3535-65	80002340	55kw
		Motor pulley taper bush TB 3535-75	80002330	75kw
407	1	Shaft cover	GSC7070-0100003C/ 23305010	
408	1	Rotor key GB1096-79 A25x110		
409	1	Shaft disk	GSC7070-0100003D/ 23305020	
410	2	Sleeve	GSC5050-0100001/ 23154200	
411	1	Sleeve for bearing	GSC5050-0100017/ 23154700	
412	1	Bolt DIN933 - M16x45 – 8.8	80009940	
413	1	Washer DIN125-A	80010750	
414	1	Spring washer DIN127-B	80010870	
415	1	Bolt DIN7991 - M16x40 – 8.8	80011670	
416	1	Bearing cover	GSC5050-0100016/ 23154800	
417	2	Motor base frame	GSH6080-031-04-00/ 20016600	
418	6	Bolt DIN931M10x160 8.8	80040674	
419	6	Spring washer DIN127-B 10	80010850	
420	6	Washer DIN125-A 10.5	80010730	
500		S-3 rotor		
501	6	Rotor knife 485x100x22	80000910	
502	18	Fixing Bolt DIN933M20x60 12.9	80010140	
503	18	Washer DIN433 21-300HV-ST	80010780	
504	12	Adjusting bolt M12x40 - flat head - 10.9	20031600	
505	24	Nut DIN934 – M12 – 10	80010470	
506	12	Adjusting bolt M12x40 - ball head - 10.9	23062110	
507	18	Rotor knife cover plate	80051479	
508	18	Pin ISO8752 – 5 x 30	80010540	
500		S-5 rotor		
501	10	Rotor knife 485x100x22	80000910	
502	30	Fixing Bolt DIN933M20x60 12.9	80010140	
503	30	Washer DIN433 21-300HV-ST	80010780	
504	20	Adjusting bolt M12x40 - flat head - 10.9	20031600	
505	40	Nut DIN934 – M12 – 10	80010470	
506	20	Adjusting bolt M12x40 - ball head - 10.9	23062110	
507	30	Rotor knife cover plate	80051479	
508	30	Pin ISO8752 – 5 x 30	80010540	
600		Stator knife		
601	2	Stator knife 995x100x22	80001060	

PART A: Basic machine

Granulator

E 50 Series

602	16	Fixing Bolt DIN933 – M20x60 – 12.9	80010140	
603	16	Step washer Φ 40x20.5x8	80012940	
604	4	Adjusting bolt M12x40 - flat head - 10.9	20031600	
605	4	Nut DIN934 – M12 – 10	80010470	
606	4	Wedge Washer	80012950	
607	4	Adjusting bolt M10x30 - ball head - 10.9	20267900	
700		Deflection wedge		
701	2	Block knife 491.5x30x30	80001360	
702	6	Fixing bolt (Block knife) DIN912M10x30 12.9	80011150	
703	14	Fixing bolt DIN912M16x50 12.9	80011291	
704	6	Washer Φ 40X ϕ 17X6/HRC45	80040725	
705	8	Washer ϕ 24X ϕ 17X2	80040720	
706	1	Replacement plate	23267000	
707	14	Bolts for replacement plate	80009930	
900		Electrical parts		
901	2	Safety switch ZS336-11Z		
902	1	Safety switch AZ15zvrk-1476-1		
903	1	Control panel		

PART A: Basic machine
Granulator
E 50 Series

13.4 E 50/140

Pos.	Pc	Description/Standard	Partnumber/SAP	Order
100		Machine complete		
101	1	Standard hopper		
102	1	PVC-curtain 1		
103	1	Cover plate for curtain		
104	1	PVC-curtain 2		
105	1	Cover plate for curtain		
108	1	Housing upper section		
109	1	Wearing plate upper section	GSC510-021-01L/23266700	
109	1	Wearing plate upper section	GSC510-021-01R/23266800	
110	1	Housing lower section		
111	2	Wearing plate lower section	GSC510-031-01/23268100	
112	1	Door		
113	1	Base frame		
114	1	Suction trough		
115	8	Anti vibration pad JSD1000	80012740	
116	5	Connecting bolts upper section-lower section DIN 933 M20x100 8.8	80010240	
200		Screen complete		
201	1	Screen support		
202	4	Screen support spindle	GSH6080-021-02-08-00/ 20007800	
204	1	Screen Ø6		
		Screen Ø8		
		Screen Ø10		
		Screen Ø12		
		Screen Ø15		
		Screen Ø20		
		Screen Ø25		
300	2	Bearing		
301	2	Bearing housing	GSC7070-0500101/ 23305300	
302	2	Bearing 22220/W33	80040269	
303	3	Bearing Cover A	GSC7070-0500102/ 23305400	
304	1	Bearing Cover B	GSC7070-0500201/ 23305600	
305	3	Sealing GB9877.1 120x150x12	80040253	
306	16	Bolt DIN912 - M8x20 - 8.8	80011070	
307	2	Grease nipple	80012490	
400		Drive		
401	1	Motor 45kw 4B3 left		
		Motor 55kw 4B3 left		
		Motor 75kw 4B3 left		
402	1	Rotor pulley SPC630-5	80001960	

PART A: Basic machine

Granulator

E 50 Series

403	1	Rotor pulley taper bush TB 5050-90	80002240	
404	5	V-Belt SPC3350	80002600	
405	1	Motor pulley SPC200-5	80040325	
406	1	Motor pulley taper bush TB 3535-60	80002350	45kw
		Motor pulley taper bush TB 3535-65	80002340	55kw
		Motor pulley taper bush TB 3535-75	80002330	75kw
407	1	Shaft cover	GSC7070-0100003C/ 23305010	
408	1	Rotor key GB1096-79 A25x110		
409	1	Shaft disk	GSC7070-0100003D/ 23305020	
410	2	Sleeve	GSC7070-0100001/ 23304200	
411	1	Sleeve for bearing	GSC7070-0100015/ 23304700	
412	1	Bolt DIN933 - M16x45 – 8.8	80009940	
413	1	Washer DIN125-A	80010750	
414	1	Spring washer DIN127-B	80010870	
415	1	Bolt DIN7991 - M16x40 – 8.8	80011670	
416	1	Bearing cover	GSC7070-0100016/ 23304800	
417	2	Motor base frame	GSH6080-031-04-00/ 20016600	
418	6	Bolt DIN931M10x160 8.8	80040674	
419	6	Spring washer DIN127-B 10	80010850	
420	6	Washer DIN125-A 10.5	80010730	
500		S-3 rotor		
501	12	Rotor knife 350x100x22	80000930	
502	36	Fixing Bolt DIN933M20x60 12.9	80010140	
503	36	Washer DIN433 21-300HV-ST	80010780	
504	24	Adjusting bolt M12x40 - flat head - 10.9	20031600	
505	48	Nut DIN934 – M12 – 10	80010470	
506	24	Adjusting bolt M12x40 - ball head - 10.9	23062110	
507	12	Rotor knife cover plate	80051479	
508	36	Pin ISO8752 – 5 x 30	80010540	
500		S-5 rotor		
501	20	Rotor knife 350x100x22	80000930	
502	60	Fixing Bolt DIN933M20x60 12.9	80010140	
503	60	Washer DIN433 21-300HV-ST	80010780	
504	40	Adjusting bolt M12x40 - flat head - 10.9	20031600	
505	80	Nut DIN934 – M12 – 10	80010470	
506	40	Adjusting bolt M12x40 - ball head - 10.9	23062110	
507	20	Rotor knife cover plate	80051479	
508	60	Pin ISO8752 – 5 x 30	80010540	
600		Stator knife		
601	4	Stator knife 726x100x22	80001080	
602	20	Fixing Bolt DIN933 – M20x60 – 12.9	80010140	

PART A: Basic machine

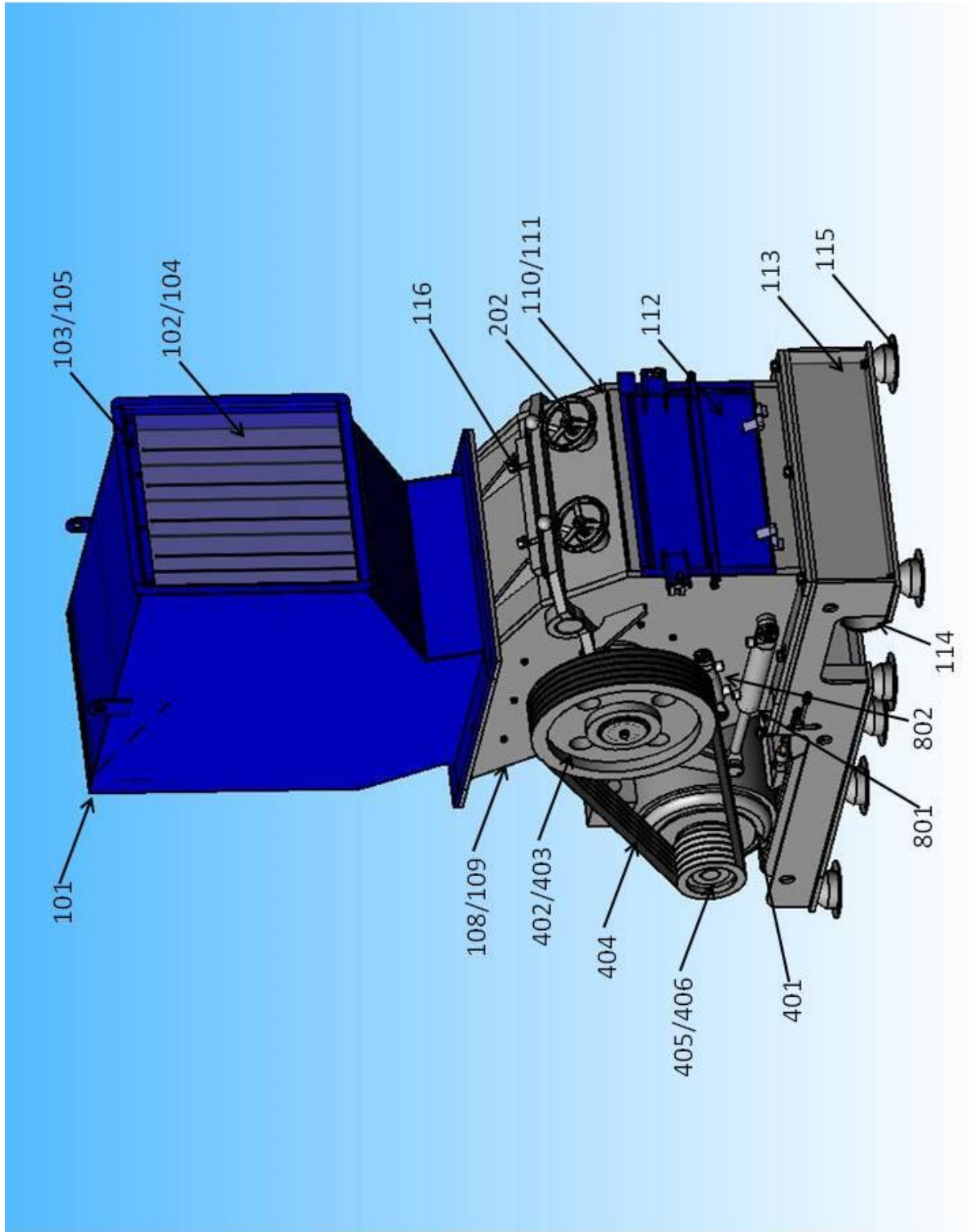
Granulator

E 50 Series

603	20	Step washer $\Phi 40 \times 20.5 \times 8$	80012940	
604	8	Adjusting bolt M12x40 - flat head - 10.9	20031600	
605	8	Nut DIN934 – M12 – 10	80010470	
606	8	Wedge Washer	80012950	
607	8	Adjusting bolt M10x30 - ball head - 10.9	20267900	
700		Deflection wedge		
701	4	Block knife 357x30x30	80001350	
702	12	Fixing bolt (Block knife) DIN912M10x30 12.9	80011150	
703	20	Fixing bolt DIN912M16x50 12.9	80011291	
704	8	Washer $\Phi 40 \times \Phi 17 \times 6$ /HRC45	80040725	
705	12	Washer $\Phi 24 \times \Phi 17 \times 2$	80040720	
706	1	Replacement plate	23213800	
707	20	Bolts for replacement plate	80009930	
900		Electrical parts		
901	2	Safety switch ZS336-11Z		
902	1	Safety switch AZ15zvrk-1476-1		
903	1	Control panel		

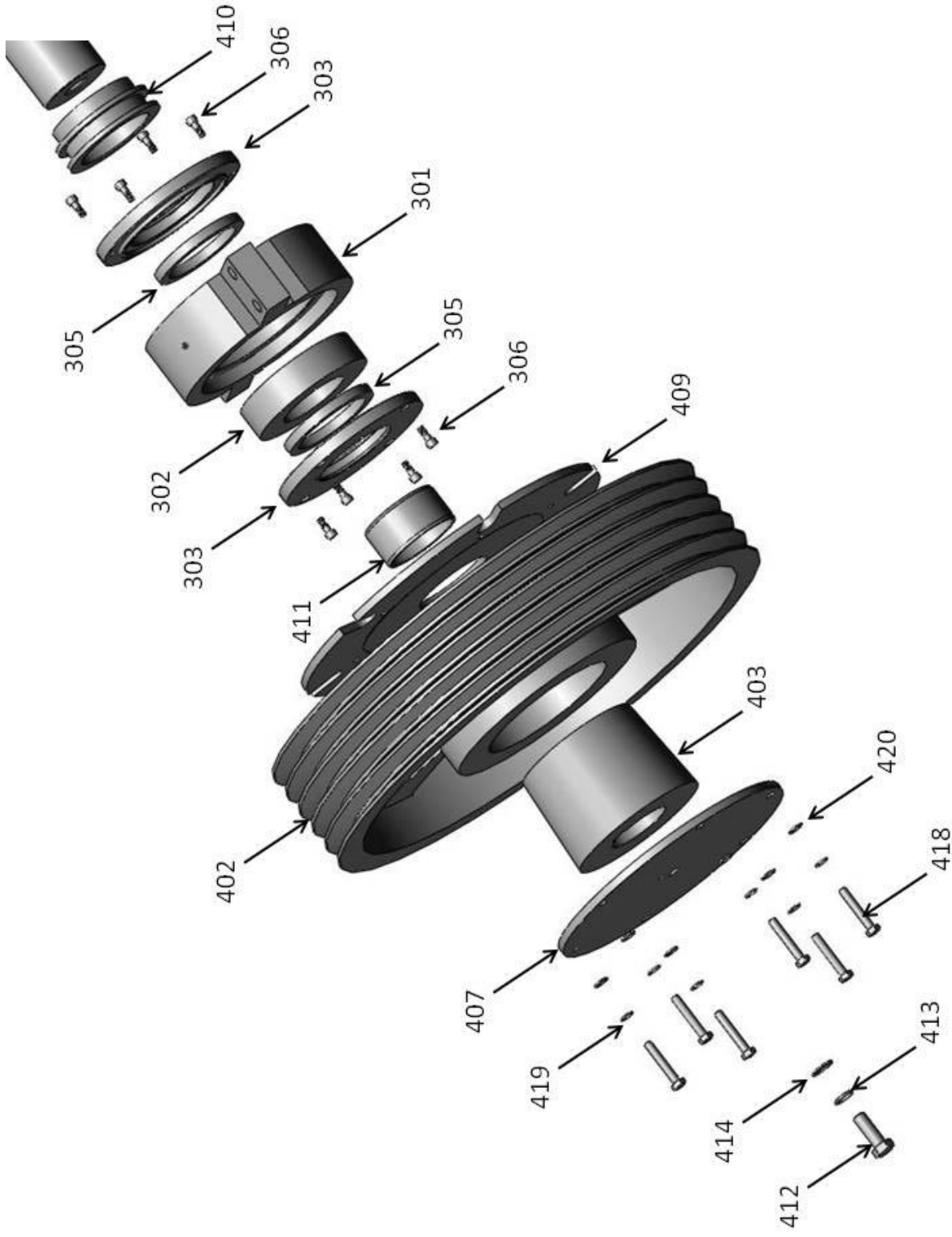
PART A: Basic machine
Granulator
E 50 Series

Illustration: Machine complete



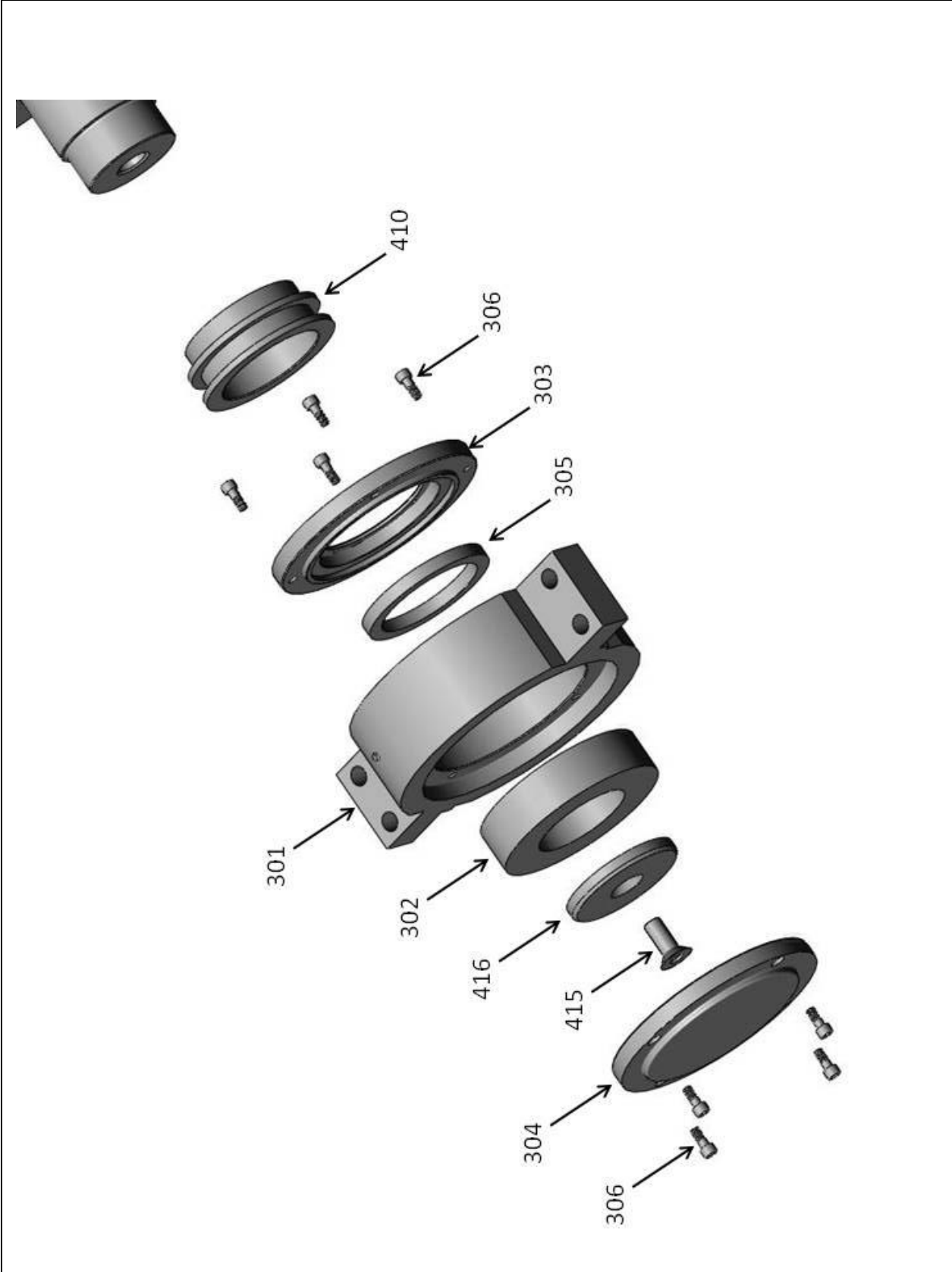
PART A: Basic machine
Granulator
E 50 Series

Illustration: Rotor drive end



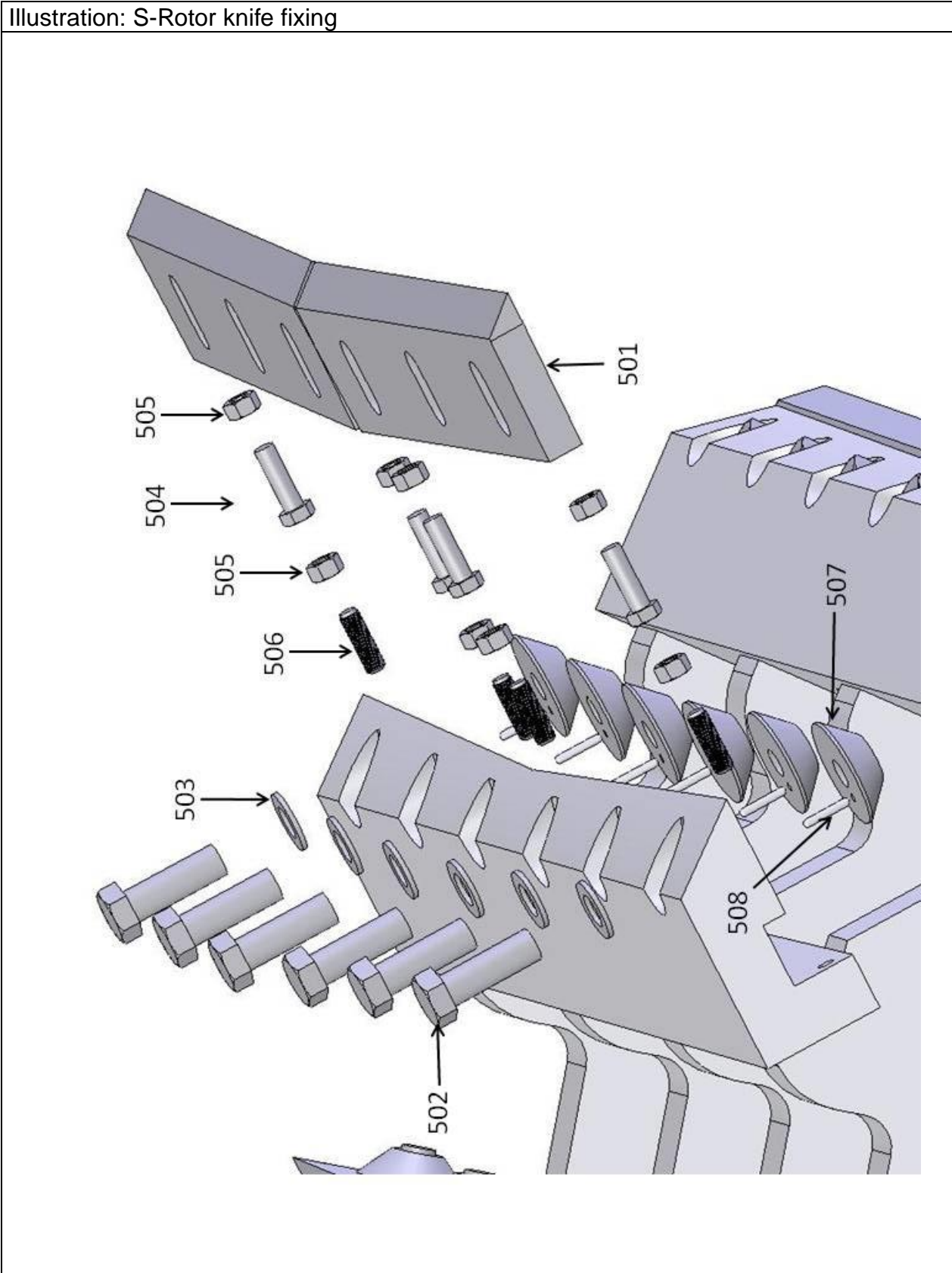
PART A: Basic machine
Granulator
E 50 Series

Illustration: Rotor non end



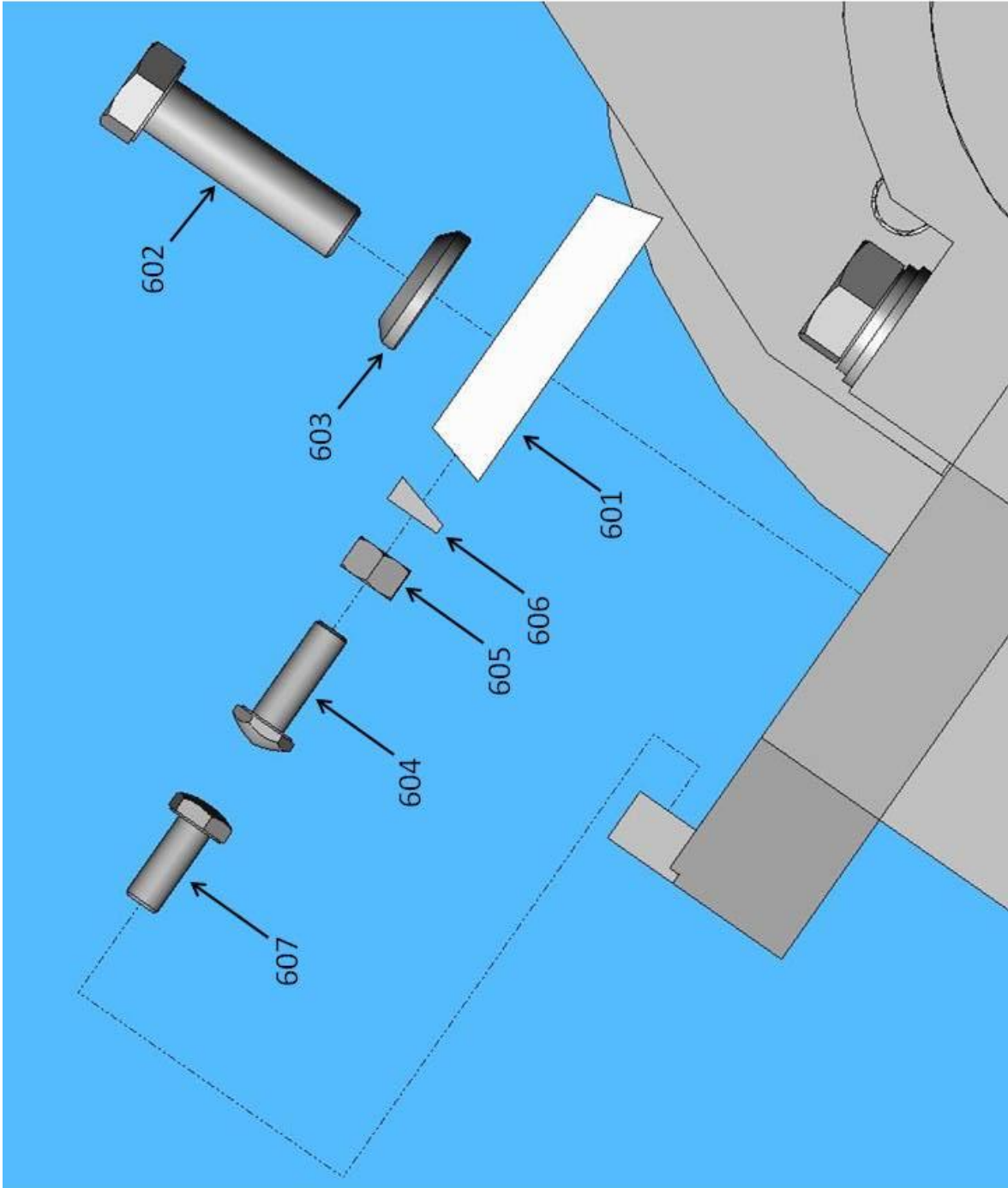
PART A: Basic machine
Granulator
E 50 Series

Illustration: S-Rotor knife fixing



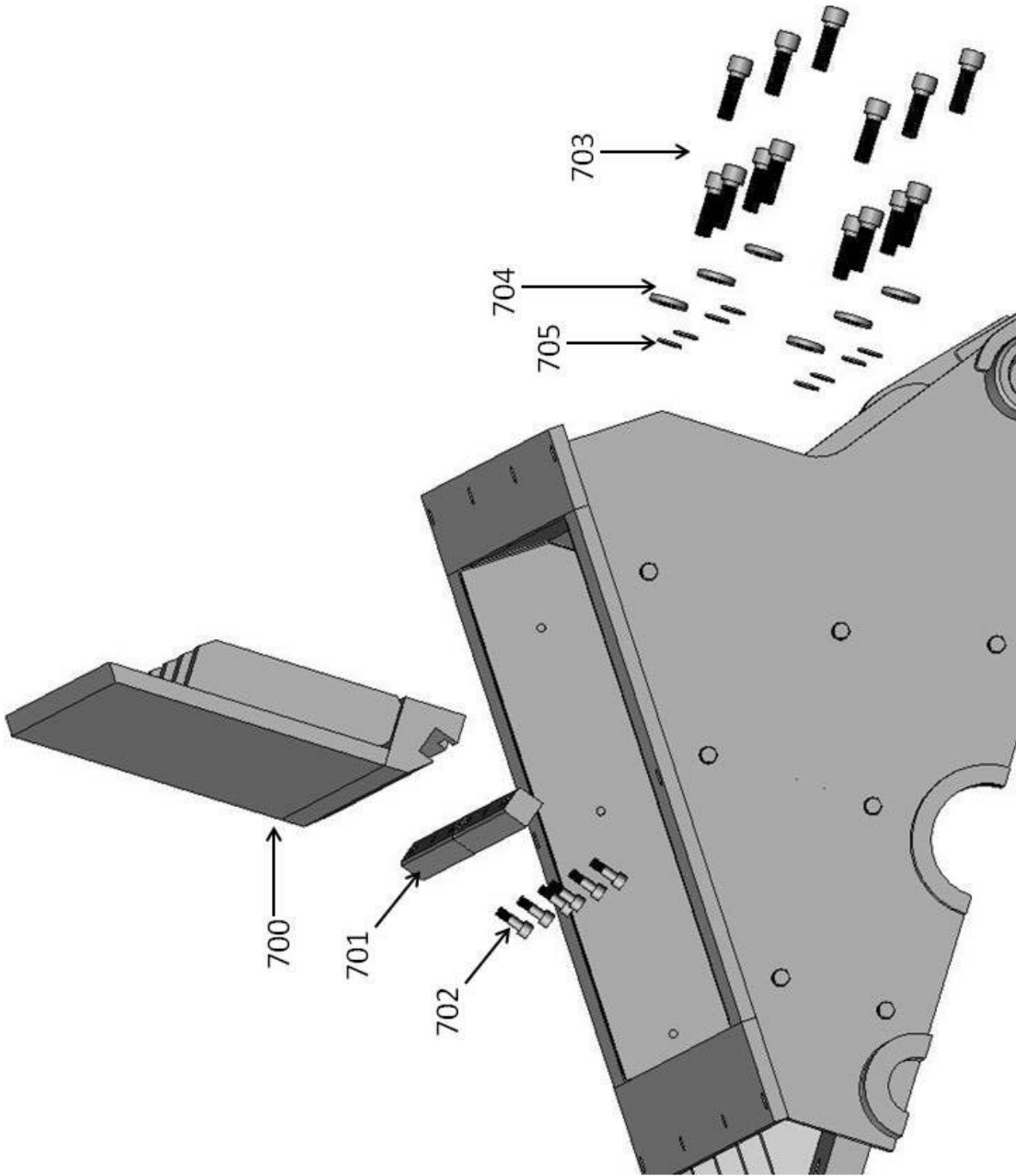
PART A: Basic machine
Granulator
E 50 Series

Illustration: Stator knife fixing



PART A: Basic machine
Granulator
E 50 Series

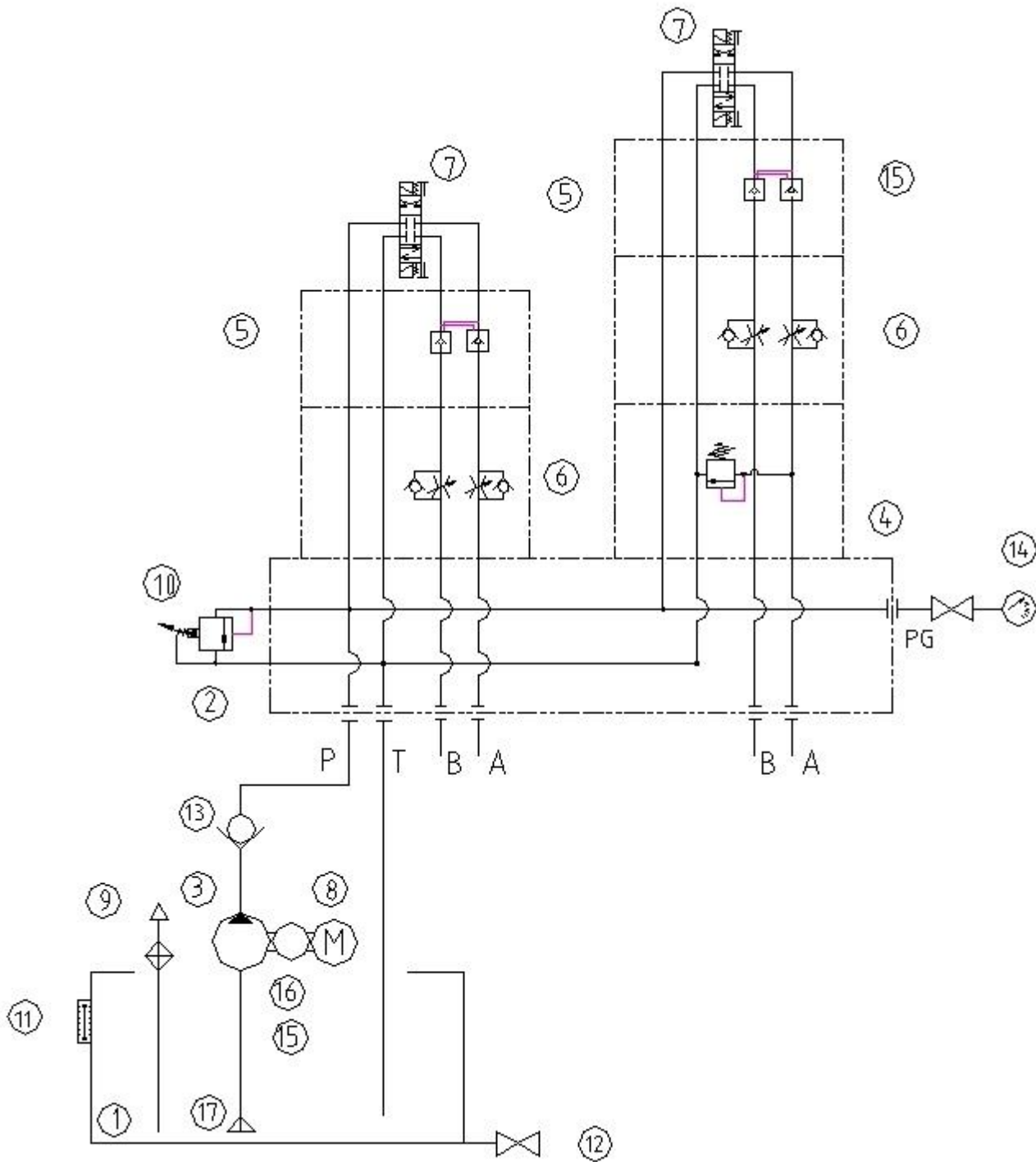
Illustration: Deflection wedge



14 HYDRAULIC UNIT SHC113-00-2T

Only for E 50/100 and 500/1400

14.1 Hydraulic Diagram



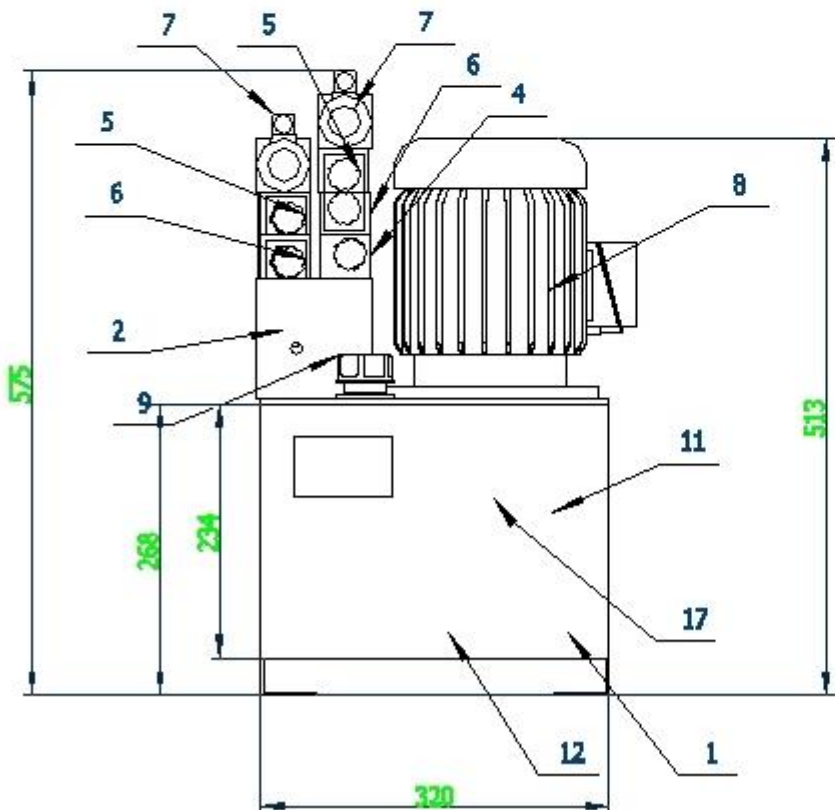
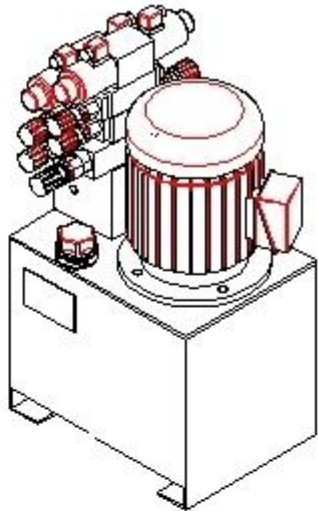
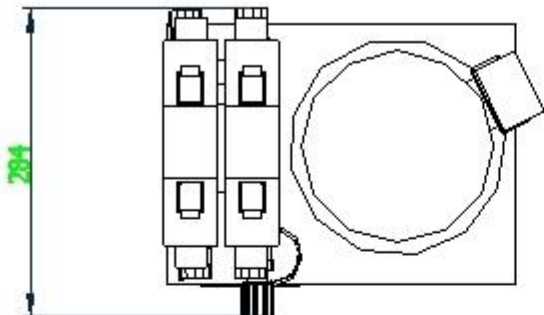
PART A: Basic machine
Granulator
E 50 Series

14.2 Spare parts list hydraulic unit

Pos	Description	Standard	Pc	Supplier
1	Tank	320x240x268	1	7Ocean
2	Valve block	MFB-113-03-B	2	7Ocean
3	Pump	HGP-1A	1	Xin Hong
4	Modular relief valve	MRV-02-A-2-10	1	7Ocean
5	Modular pilot check valve	MPC-02-W-1-10	2	7Ocean
6	Modular throttle check valve	MTC-02-W-0-10	2	7Ocean
7	Solenoid valve	DSD-G02-2C-DC24-31	2	7Ocean
8	Electric motor	1.5 kW; 2HP-4P	1	ABB
9	Oil lubricator	AB-1162	1	CLC
10	Cartridge relief valve	CRV-60-A-10	1	7Ocean
11	Level gauge	LS-3"	1	CLC
12	Oil discharge plug	PT3-4	1	7Ocean
13	Check valve	CIT-03	2	7Ocean
14	Pressure gauge	AT-63x250kg/cm ²	1	7Ocean
15	Coupling		1	7Ocean
16	Cover		1	7Ocean
17	Suction filter	MF-04	1	7Ocean

PART A: Basic machine
Granulator
E 50 Series

14.3 Hydraulic Unit



15 CLARIFICATION FOR PERSONAL TRAINING

This is to certify that I have attended an in company training for service and operation of the granulator and understand all safety regulations. Further to this I have read and understand the owners' manual.

City	Date	Printed name	Signature

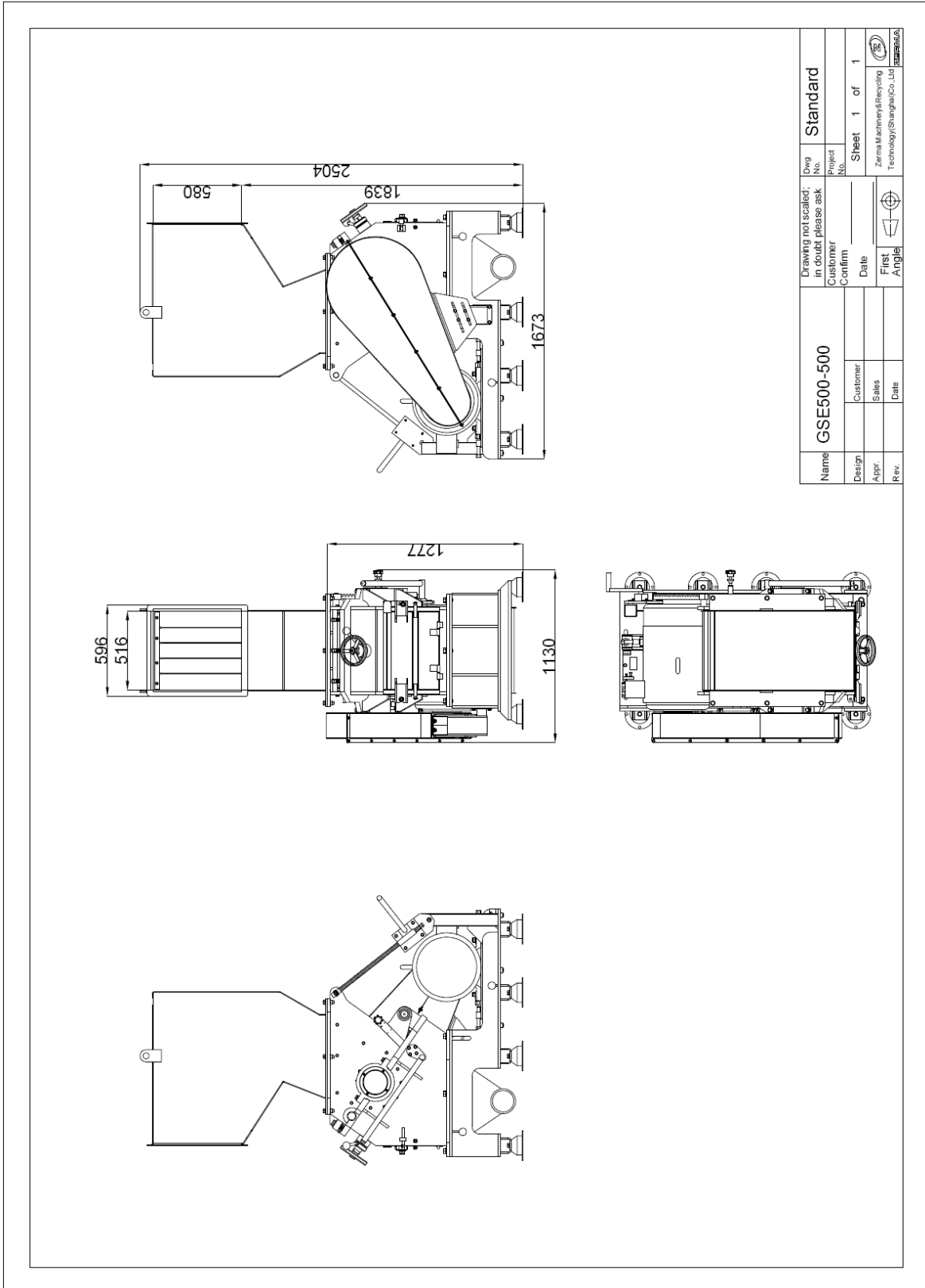
16 ELECTRICAL CONNECTION

The machine should be wired by a qualified electrician.

Please refer to the wiring diagram.

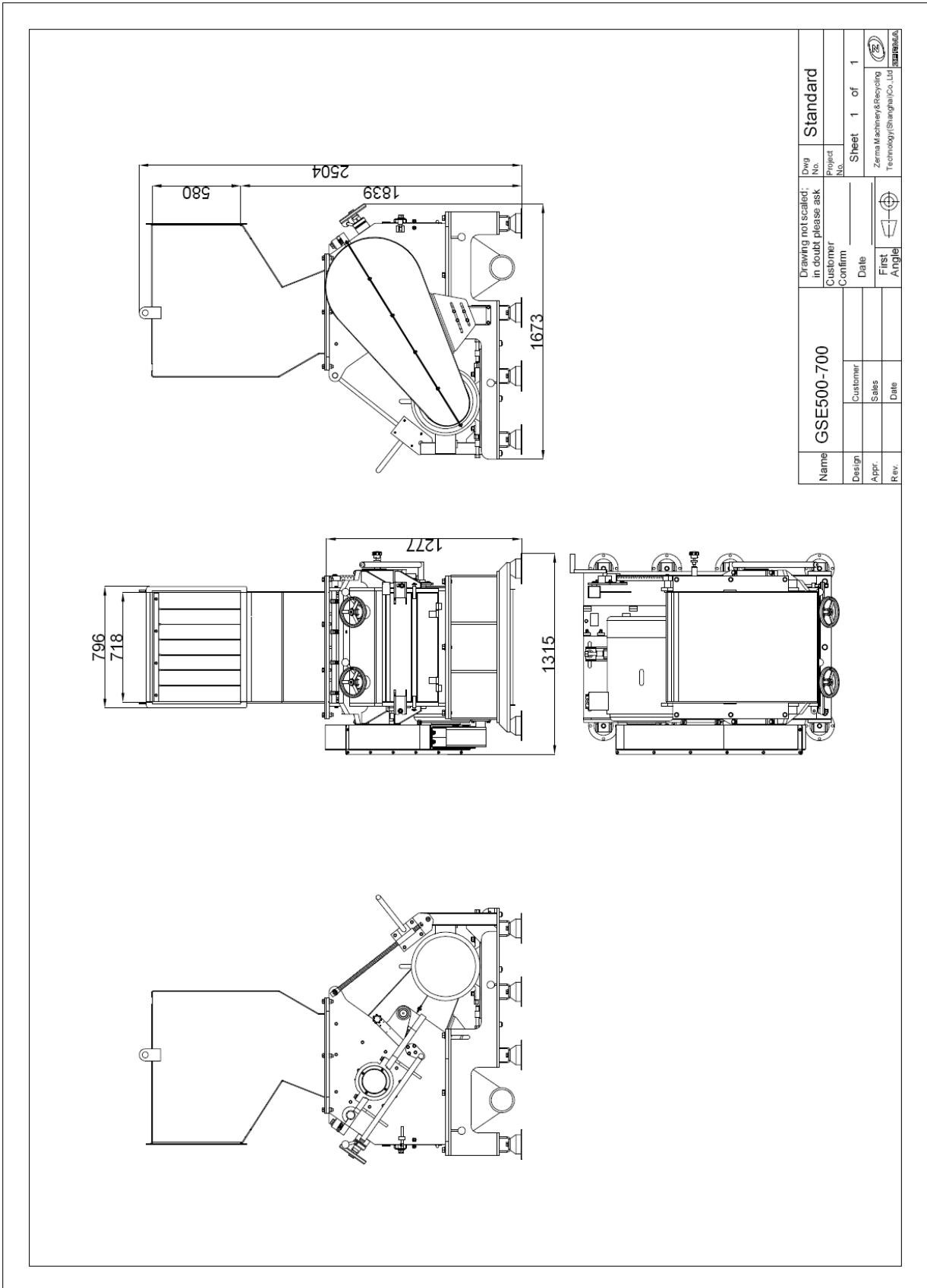
PART A: Basic machine
Granulator
E 50 Series

17 DIMENSIONS OF STANDARD MACHINE
17.1 GSE500/500



PART A: Basic machine
Granulator
E 50 Series

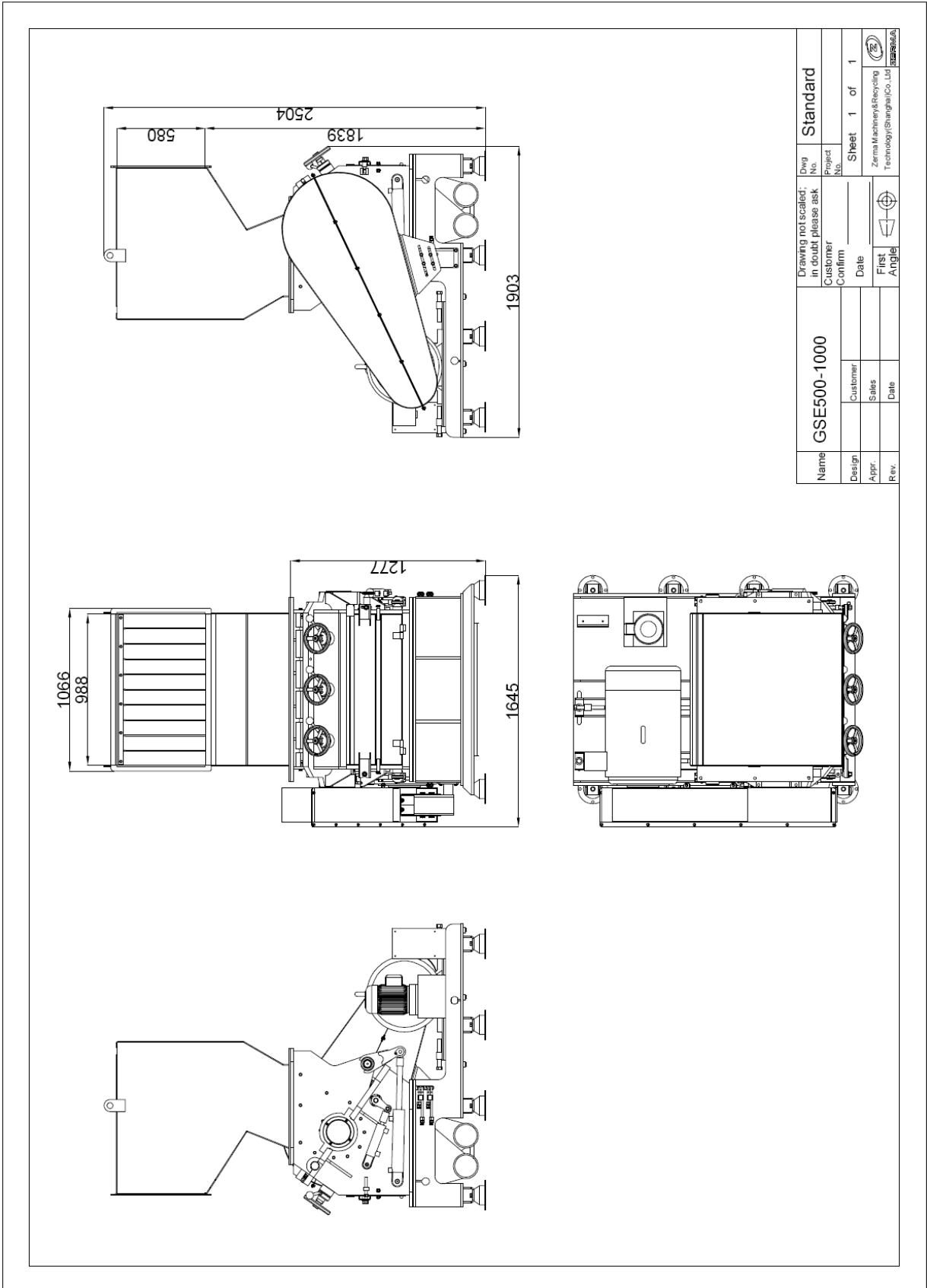
17.2 GSE500/700



Name		GSE500-700		Standard	
Design	Customer	Dwg No.	Project No.	Sheet	1 of 1
Appr.	Sales	Customer Confirm		Zerma Machinery & Recycling Technology (Shanghai) Co., Ltd.	
Rev.	Date	Date	First Angle		

PART A: Basic machine
Granulator
E 50 Series

17.3 GSE500/1000



17.4 GSE500/1400



18 ADDITION

Documentation Main Drive Granulator
(PART B)
Delivery documentation

ATTENTION:

The wiring schematics are located in the control panel in the event that the control panel is a part of the delivery