

E 70

Economical Granulator

- Knives are adjusted outside of the machine
- Mobile Compact design
- Different rotor types available
- Easy accessibility
- Aggressive tangential infeed



Rotor and stator knives are pre-set outside the machine prior to installation in a supplied fixture. This makes awkward adjustment inside the machine unnecessary.

The E granulators are available with different rotor options to fit different applications, all rotors feature the V-cut technology creating a high quality regrind.

The redesigned base of the E 70 series makes the machine very sturdy, while maintaining easy accessibility for maintenance and cleaning.

General Description

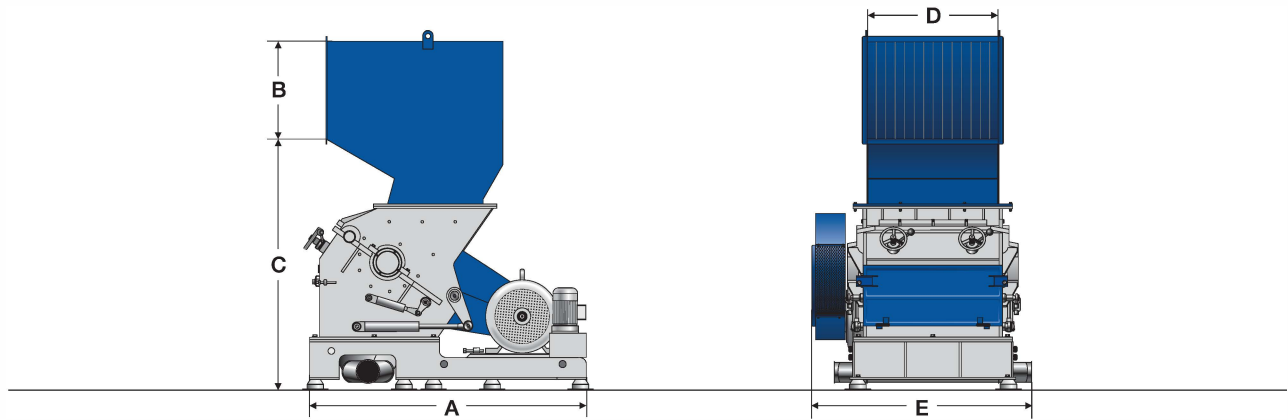
For the E 70 series different rotor designs are available in widths ranging from 700 mm to 1400 mm with a diameter of 700 mm. The completely welded cutting chamber, in conjunction with the "V" type rotor design, ensures dependability in operation and universal application use. The housing design offers easy and quick access to the cutting chamber during rotor and stator knife changes, servicing, or screen changes.

Applications

The E series of machines are designed as economical granulators for use as a central granulator for in-house recycling. The cutting geometry of the E 70 series allows even voluminous materials to be ground. The complete E series line achieves a high quality regrind independent of the material type or form such as injection molded parts, blow molded parts, profiles, sheets, film, etc.

E 70

Economical Granulator



Technical Specifications and Dimensions

Model

Rotor diameter (mm)

Rotor width (mm)

Drive capacity (kW)

Rotor knives (rows)

Stator blades (rows)

Screen size (mm)

Effective working area (mm)

Weight approx (kg)

700/700

700

700

45

5 or 7

2 or 3

>6

720 x 700

2840

700/1000

700

1000

55

5 or 7

2 or 3

>6

720 x 990

3530

700/1400

700

1400

55

5 or 7

2 or 3

>6

720 x 1400

4500

A (mm)

2050

2050

2050

B (mm)

780

780

780

C (mm)

2040

2040

2040

D (mm)

715

985

1430

E (mm)

1400

1670

2120

Virtus Equipment

9120 Centerlinks Commerce Dr., Unit 4
Fort Myers, FL 33912

239-219-1800

Sales@Virtus-Equipment.com

virtus-equipment.com

Virtus
Equipment

The Right Machine for Today's
Recycling Requirements