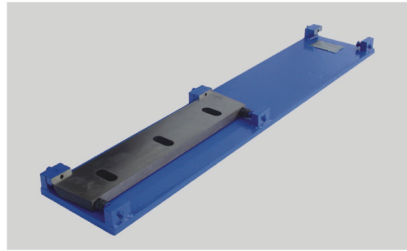


C 30

Compact Soundproofed Granulator

- Knives are adjusted outside of the machine
- Compact design
- Different rotor types available
- Soundproofed housing
- Aggressive tangential infeed



Rotor and stator knives are pre-set outside the machine prior to installation in a supplied fixture. This makes awkward adjustment inside the machine unnecessary.



The C Series granulators are available with different rotor options to fit different applications, all rotors feature the V-cut technology creating a high quality regrind.



To minimize the needed floor space and make the machine easy to move, machine controls and electrical cabinet are integrated into the machines soundproof housing.

General Description

The C 30 compact/sound proof granulators are designed with a complete sound proof enclosure resulting in an extremely quiet operation. Different rotor designs are available in widths ranging from 300 mm to 1000 mm with a diameter of 300 mm. The completely welded cutting chamber in conjunction with the "V" type rotor design ensures dependability in operation and universal application use. While it delivers excellent sound proofing capabilities, it still offers easy and quick access to the cutting chamber during rotor and stator knife changes, servicing or screen changes. The sound dampening material used in these machines is based on the latest technological research.

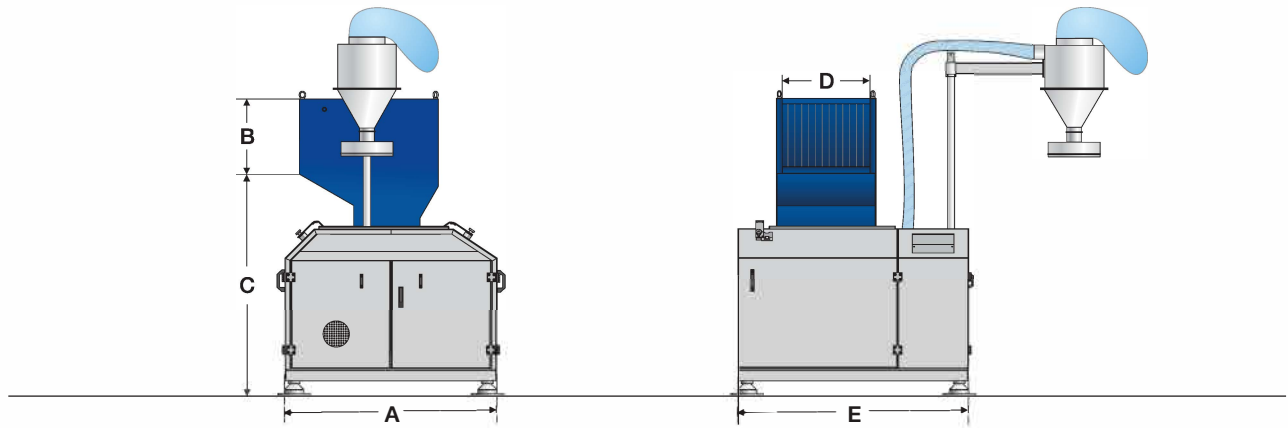
Applications

The cutting geometry of the C series allows even voluminous materials to be ground. The complete C series line achieves a high quality regrind independent of the material type or form such as injection molded parts, blow molded parts, profiles, sheets, film, etc. The 30 series C machines are mainly used in in-line operations for processing of rejected products, or runners and sprues. The small footprint and easy movability make the machines very easy to place in existing operations.

Virtus
Equipment
The Right Machine for Today's
Recycling Requirements

C 30

Compact Soundproofed Granulator



Technical Specifications and Dimensions

| Model | 300/300 | 300/600 | 300/1000 |
|-----------------------------|-----------|-----------|-----------|
| Rotor diameter (mm) | 300 | 300 | 300 |
| Rotor width (mm) | 300 | 600 | 1000 |
| Drive capacity (kW) | 7.5 | 11 | 18.5 |
| Rotor knives (rows) | 3 | 3 | 3 |
| Stator blades (rows) | 2 | 2 | 2 |
| Screen size (mm) | >6 | >6 | >6 |
| Effective working area (mm) | 400 x 290 | 400 x 590 | 400 x 990 |
| Weight approx (kg) | 1200 | 1400 | 1850 |
| | | | |
| A (mm) | 1550 | 1550 | 1550 |
| B (mm) | 420 | 420 | 420 |
| C (mm) | 1570 | 1570 | 1570 |
| D (mm) | 300 | 590 | 990 |
| E (mm) | 1300 | 1600 | 1900 |

Virtus Equipment

9120 Centerlinks Commerce Dr., Unit 4
Fort Myers, FL 33912

239-219-1800
Sales@Virtus-Equipment.com

virtus-equipment.com

Virtus
Equipment

The Right Machine for Today's
Recycling Requirements