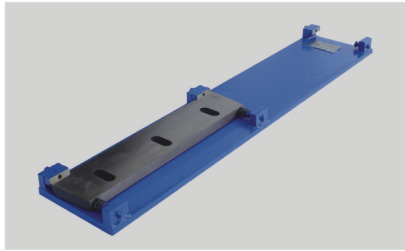


C 70

Compact Soundproofed Granulator

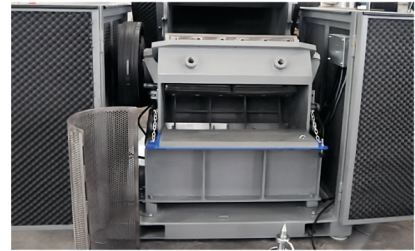
- Knives are adjusted outside of the machine
- Compact design
- Different rotor types available
- Soundproofed housing
- Aggressive tangential infeed



Rotor and stator knives are pre-set outside the machine prior to installation in a supplied fixture. This makes awkward adjustment inside the machine unnecessary.



In order to keep the C 70 series as compact as possible, motor and hydraulic opening system are integrated into the sound dampening enclosure of the machine.



The user friendly design of the C 70 series granulators allows quick and easy access to the cutting chamber for maintenance and cleaning.

General Description

The C 70 compact/sound proof granulators are designed with a complete sound proof enclosure resulting in an extremely quiet operation. Different rotor designs are available in widths ranging from 700 mm to 1400 mm with a diameter of 700 mm. The completely welded cutting chamber in conjunction with the "V" type rotor design ensures dependability in operation and universal application use. While it delivers excellent sound proofing capabilities, it still offers easy and quick access to the cutting chamber during rotor and stator knife changes, servicing or screen changes. The sound dampening material used in these machines is based on the latest technological research.

Applications

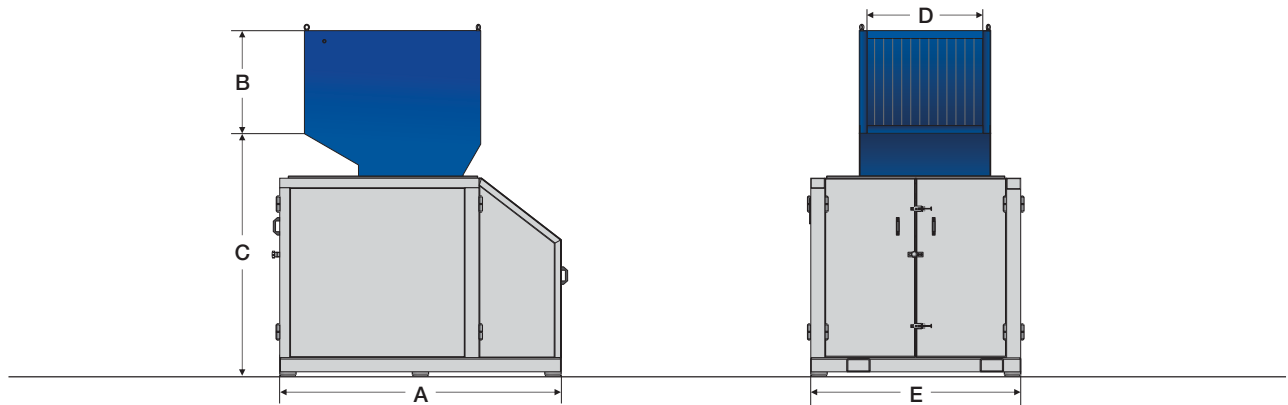
The cutting geometry of the C 70 series allows even voluminous materials to be ground. The complete C 70 series line achieves a high quality regrind independent of the material type or form such as injection molded parts, blow molded parts, profiles, sheets, film, etc. The 70 series C machines are mainly used as central granulators for processing of large injected or blow molded products as well as film. The integrated sound proofing makes it possible to easily place the machine in existing operations. With different rotor designs and a wide variety of options the machines can be tailored for many different applications.

Virtus
Equipment

The Right Machine for Today's
Recycling Requirements

C 70

Compact Soundproofed Granulator



Technical Specifications and Dimensions

Model	700/700	700/1000	700/1400
Rotor diameter (mm)	700	700	700
Rotor width (mm)	700	1000	1400
Drive capacity (kW)	45	55	55
Rotor knives (rows)	5 or 7	5 or 7	5 or 7
Stator blades (rows)	2 or 3	2 or 3	2 or 3
Screen size (mm)	>6	>6	>6
Effective working area (mm)	720 x 700	720 x 990	720 x 1400
Weight approx (kg)	4200	5100	6200
A (mm)	2260	2260	2260
B (mm)	780	780	780
C (mm)	2240	2240	2240
D (mm)	715	915	1430
E (mm)	1830	2100	2600

Virtus Equipment

9120 Centerlinks Commerce Dr., Unit 4
Fort Myers, FL 33912

239-219-1800
Sales@Virtus-Equipment.com

virtus-equipment.com

Virtus
Equipment

The Right Machine for Today's
Recycling Requirements