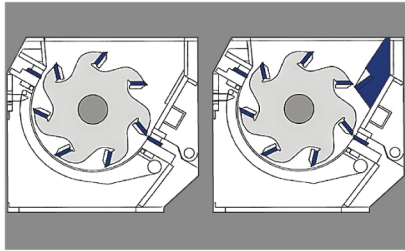


H 80

Heavy Duty Granulator

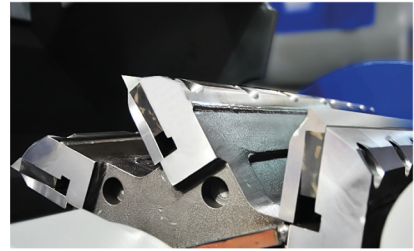
- Knives are adjusted outside of the machine
- Specially developed deflector wedge
- Wide choice of rotors
- Well thought out housing design
- Strong Welded Steel construction
- Oversized outboard bearings



The easily removable deflector wedge acts as a third stator blade and can be used to adjust the aggressiveness of the rotor at the first cutting point.



The H granulators are available with different rotor options to fit different applications, all rotors feature the V-cut technology creating a high quality regrind.



For abrasive applications the H granulators can be equipped with rotors with key parts manufactured from highly wear resistant steel as well as weld on hard facing.

General Description

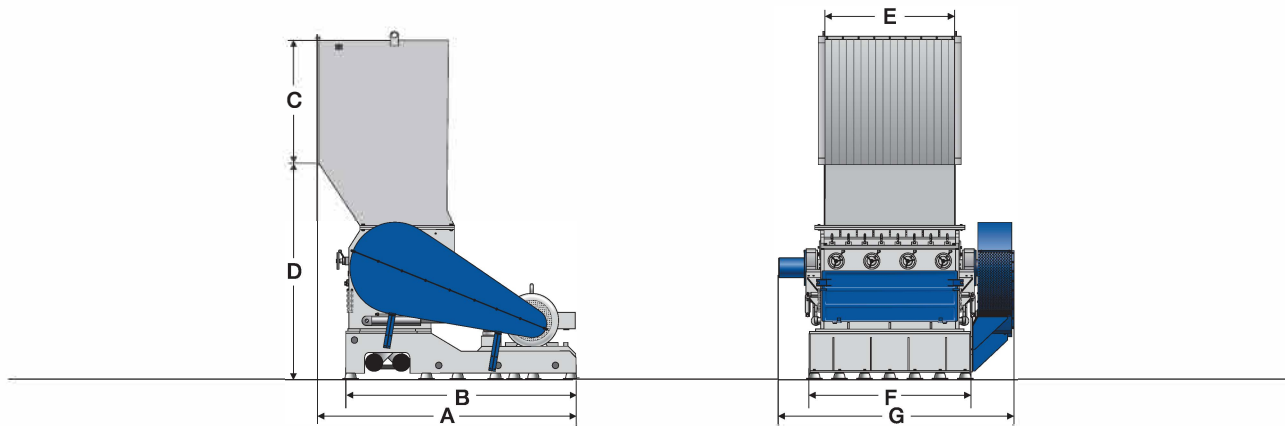
The heavy duty granulators of the H 80 series offer a wide array of different rotor designs with widths ranging from 1200 mm to 2000 mm with a diameter of 800 mm. The completely welded heavy steel construction is designed to withstand the most demanding and universal applications. Rotor bearings, knife mounts, and rotor shaft are oversized. The standard V-cut creates a high quality regrind with a very low percentage of fines in the output material. The removable third stator blade acts as a deflector wedge and allows the machine to be quickly adjusted to different application scenarios. Other standard features include easily replaceable wear plates in the cutting chamber as well as outboard bearings reducing the risk of contamination.

Applications

The wide range of rotors and hopper styles allow the H machines to be tailored to almost every application in the plastic recycling field, mainly with high throughput requirements. The H 80 series can be used to grind large thick walled parts down to a granule in one step, or be used as a second step granulator after a X shredder to reach very high throughput rates. When used to grind light materials, such as bottles, the throughput can be greatly increased with the addition of a Virtus force feeding device. For abrasive, contaminated, or highly filled materials, the machines can be equipped with special wear protections, such as hard facing of the rotor and housing, and key parts manufactured from highly wear resistant steels.

H 80

Heavy Duty Granulator



Technical Specifications and Dimensions

Model

Rotor diameter (mm)
 Rotor width (mm)
 Drive capacity (kW)
 Rotor knives (rows)
 Stator blades (rows)
 Screen size (mm)
 Effective working area (mm)
 Weight approx (kg)

800/1200

800
 1200
 132
 5 or 7 or 9
 2 or 3
 >8
 1150 x 915
 10400

800/1600

800
 1600
 160
 5 or 7 or 9
 2 or 3
 >8
 1570 x 915
 12500

800/2000

800
 2000
 2 x 160
 7 or 9
 2 or 3
 >8
 1960 x 915
 13500

A (mm)
 B (mm)
 C (mm)
 D (mm)
 E (mm)
 F (mm)
 G (mm)

3100
 2885
 1200
 2250
 1150
 1535
 2400

3175
 2800
 1400
 2600
 1570
 1970
 2860

2755
 2600
 1600
 3055
 1965
 2250
 3465

Virtus Equipment

9120 Centerlinks Commerce Dr., Unit 4
 Fort Myers, FL 33912

239-219-1800
 Sales@Virtus-Equipment.com

virtus-equipment.com

Virtus
 Equipment

The Right Machine for Today's
 Recycling Requirements