

T Series

Shredder For Car Tires

- Single large diameter rotor (750 mm)
- Proprietary knife design and material
- Variable knife gap to improve separation of steel and rubber
- Compact Heavy Duty design
- High throughput rates
- Fast and easy tool change and maintenance



The Virtus tire shredders use special highly wear resistant tungsten carbide flat knives. These knives ensure a long lifetime of working with abrasive and contaminated materials.

The T shredders are equipped with large diameter flat rotors with weld on hard facing. The knives are fixed in special knife holders fitted in machined pockets.

The oversized gearbox driving the rotor is supported by a very sturdy torque arm cushioning the shocks created while grinding.

General Description

The T single shaft shredders are specially designed for the processing of complete or pre shred tires. Both machines feature a 750 mm diameter rotor with width options 1500mm to 3000 mm with oversized outboard bearings and twin gear drives. The tangential infeed ensures optimal feeding of the input materials while eliminating the need for a hydraulic feeding system. All tire shredders are equipped with a complete wear package including rotor hard facing plus special knives and wear plates made from highly wear resistant steel. The T Series differs in the number of stator knives and the screen sizes used. The modular design makes it easy to integrate either machine into existing installations.

Applications

The T Shredder with its single row of stator knives is used to pre shred complete car tires or large pieces of pre processed truck tires down to a size of approx 150 mm. The twin rows of stator knives and screen in the T Shredder enable it to process the tire shreds down to any required size >20 mm.

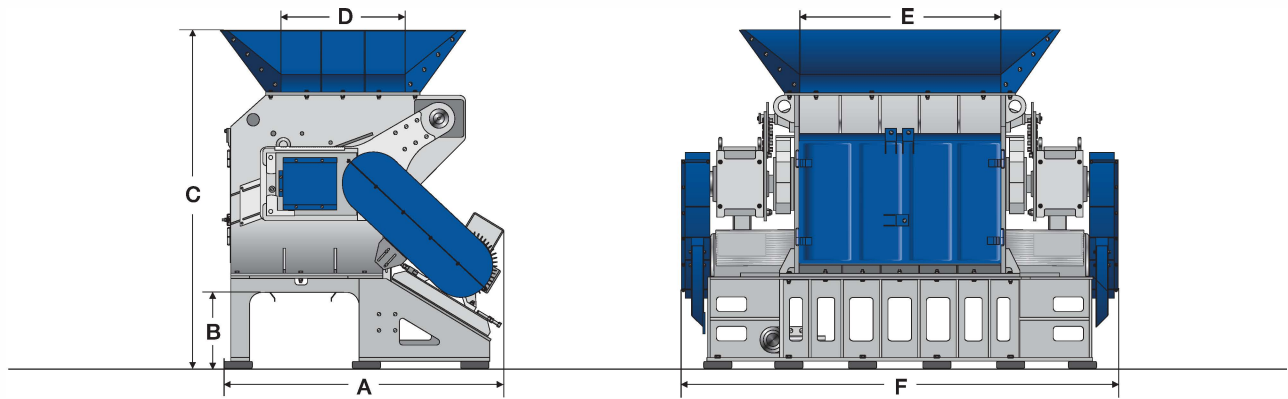
Unique machine design combined with the variable cutting gap create an optimal separation of rubber and steel when the machine is used with 20 mm screen. Therefore, steel can be removed easily during the following process with magnetic separation equipment. The machines are also used in the processing of RDF and other alternative fuel applications.

Virtus
Equipment

The Right Machine for Today's
Recycling Requirements

T Series

Shredder For Car Tires



Technical Specifications and Dimensions

Model

Rotor diameter (mm)
 Rotor width (mm)
 Rotor speed (rpm)
 Drive capacity (kW)
 Rotor knives (pcs)
 Stator blades (rows)
 Screen size (mm)

Effective working area (mm)
 Weight approx (kg)

A (mm)
 B (mm)
 C (mm)
 D (mm)
 E (mm)
 F (mm)

1500

760
 1560
 41
 2 x 90
 76
 1 or 2
 80mm screen bars
 >16
 1005 x 1620
 12300
 12800

2000

760
 1960
 41
 2 x 110
 96
 1 or 2
 80mm screen bars
 >16
 1005 x 2020
 15300
 16500

3000

760
 2760
 41
 on request
 136
 1 or 2
 80mm screen bars
 >16
 1005 x 2820
 20500
 21500

Virtus Equipment

9120 Centerlinks Commerce Dr., Unit 4
 Fort Myers, FL 33912

239-219-1800
 Sales@Virtus-Equipment.com

virtus-equipment.com

Virtus
 Equipment

The Right Machine for Today's
 Recycling Requirements